

POWER DISCRETES
Description

Quick reference data

$V_R = 400 \text{ V}$

$I_O = 15 \text{ A}$

$t_{rr} = 150 \text{ ns}$

$V_F = 1.5 \text{ V at } I_O = 9 \text{ A}$

Features

- ◆ Low reverse leakage current
- ◆ Hermetically sealed in metoxilite fused metal oxide
- ◆ Low forward voltage drop
- ◆ Semtech **ISOPAC** package design
- ◆ Non-isolated anode to stud configuration

Electrical Specifications

 Electrical specifications @ $T_A = 25^\circ\text{C}$ unless otherwise specified.

Types	V_{RWM}	V_F	I_O		I_{FSM}	I_R	I_R	T_{RR}	T_{STG} and T_J	$R_{\theta JC}$
		At: $I_O = 9 \text{ A}$	At: $T_C = +55^\circ\text{C}$	At: $T_C = +100^\circ\text{C}$	$T_A = +25^\circ\text{C}$ $t_p = 8.0 \text{ ms}$	V_{RWM} , $T_J = 25^\circ\text{C}$	V_{RWM} , $T_J = 100^\circ\text{C}$	$0.5 \text{ A } I_O \text{ to } 1.0 \text{ A } I_{RM} \text{ recover to } 0.25 \text{ A } I_{RM} \text{ (REC)}$		
	V(pk)	V	A dc	A dc	A(pk)	μA	μA	ns	$^\circ\text{C}$	$^\circ\text{C/W}$
SET130304	400	1.5	15	11	150	1	20	150	-55 to +175	3.0

POWER DISCRETES

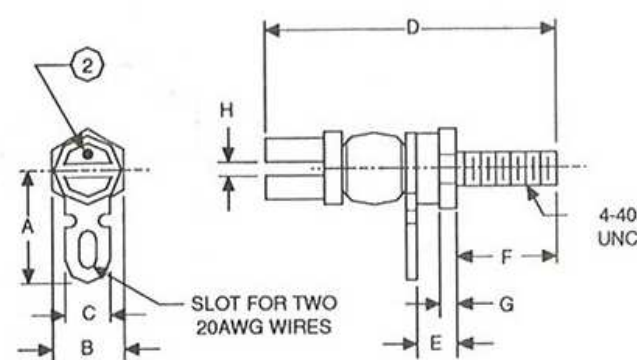
Ordering Information

Part Number	Description
SET130304	Half Wave, High Current Stud Diode

Note:

- (1) Available in bulk or tape and reel packaging. Please consult factory for quantities.

Outline Drawing



4-40
UNC

SLOT FOR TWO
20AWG WIRES

G76

DIM N	MM		INCHES		NOTE
	MIN	MAX	MIN	MAX	
A	5.8	7.4	.23	.29	—
B	4.5	4.8	.18	.19	—
C	3.0	3.3	.12	.13	—
D	17.7	20.4	.70	.80	—
E	2.7	3.3	.11	.13	—
F	6.0	6.6	.24	.26	—
G	1.2	1.5	.05	.06	—
H	1.0	1.3	.04	.05	1

NOTES:
1. TERMINAL ORIENTATION NOT DEFINED.
2. RED DOT DENOTES CATHODE TERMINAL,
BLACK DOT DENOTES ANODE TERMINAL.

Contact Information

Semtech Corporation
Power Discretes Products Division
200 Flynn Road, Camarillo, CA 93012
Phone: (805)498-2111 FAX (805)498-3804