



What kind of *charger* are you using?

Semtech SC820 Family The industry's first 30V single/dual input Li-ion chargers in 2x2mm.

Key Features:

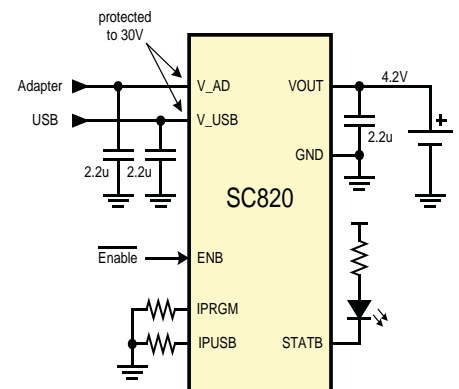
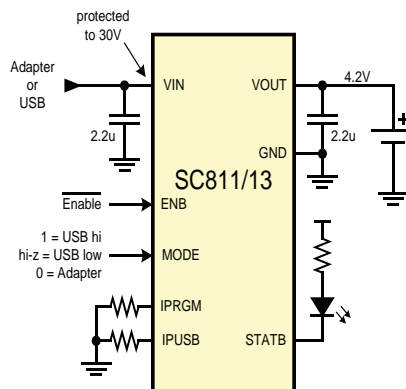
- 30V Input Protection with 6V or 9.6V OVP
- Single/Dual Input Versions for AC Adapters and USB
- Programmable Charge Currents up to 1A
- Thermal Limiting Prevents Overheating
- Tiny and Thin 2 x 2 x 0.6mm MLPD Package
- Complies with CCSA YD/T 1591-2006

Applications:

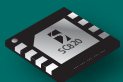
- MP3/4 Portable Media Players
- GPS Personal Navigation Devices
- Cellular, Cordless, WiFi/VoIP Phones
- DSCs, Picture Frames, and Headsets

Semtech SC820 Family

Part	Inputs	Protection	OVP Max	Modes	Package
SC810	Single	30V	9.6V	One	MLPD-6 2x2mm
SC811	Single	30V	9.6V	Adapter USB High USB Low	MLPD-8 2x2mm
SC813	Single	30V	6.0V	Adapter USB High USB Low	MLPD-8 2x2mm
SC820	Dual	30V & 30V	9.6V	Adapter USB	MLPD-8 2x2mm



Power It. Protect It. Connect It.®



To download SC8xx datasheets:
www.semtech.com/eetcnp608


SEMTECH
INTERNATIONAL AG
www.semtech.com