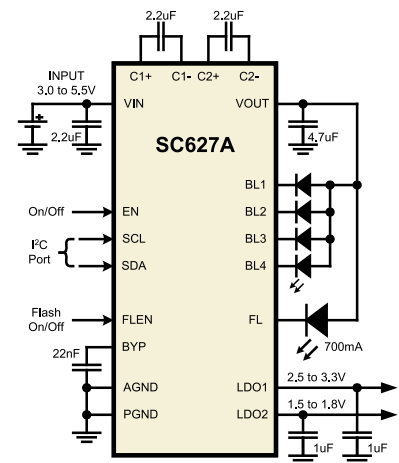
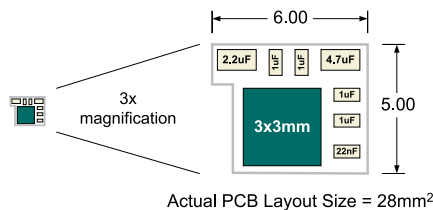


A Powerful Performance

Flexible. Powerful. Compact.
IC for Backlight, Flash,
and Camera Power

Key Features:

- 3x3 MLPQ (0.6mm max. height)
- 1x/1.5x/2x Charge Pump
- 4 LED Backlight Sinks
- 85% Average Backlight Efficiency
 (over the Li-Ion Battery Discharge Curve)
- 700mA LED Camera Flash with 1sec safety timer
- 2 Low-Noise LDO Regulators
- SC627 = SemWire™ – a True Single Wire Interface
- SC627A = I²C Serial Interface



Semtech SC627 Family						
Part	Charge Pump	Backlight Sinks	Flash Sinks	LDOs	Interface	Package
SC620	--	8 x 25mA	--	--	I ² C	3x3mm
SC621	1x/1.5x/2x	4 x 25mA	1 x 400mA	2 x 100mA	SemWire/I ² C	3x3mm
SC622	1x/1.5x/2x	--	1 x 400mA	2 x 100mA	SemWire/I ² C	3x3mm
SC623	1x/1.5x/2x	4 x 25mA	1 x 400mA	--	SemWire/I ² C	3x3mm
SC624	1x/1.5x/2x	4 x 25mA	--	2 x 100mA	SemWire/I ² C	3x3mm
SC627	1x/1.5x/2x	4 x 25mA	1 x 700mA	2 x 100mA	SemWire/I ² C	3x3mm

Power It. Protect It. Connect It.®



To download SC62x datasheets:
www.semtech.com/eetcnp1207s

SEMTECH
 INTERNATIONAL AG

www.semtech.com