

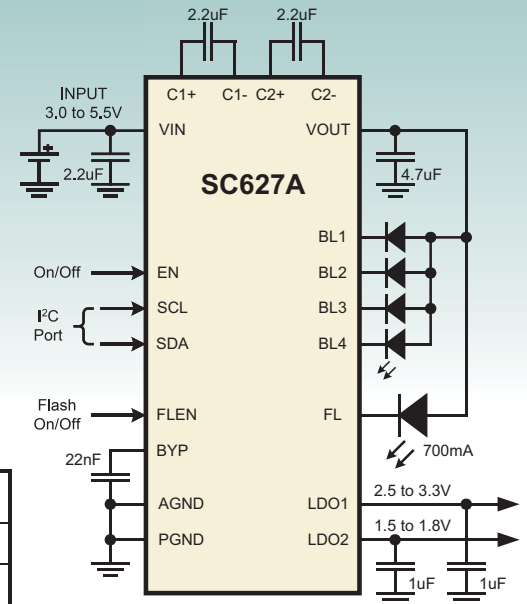
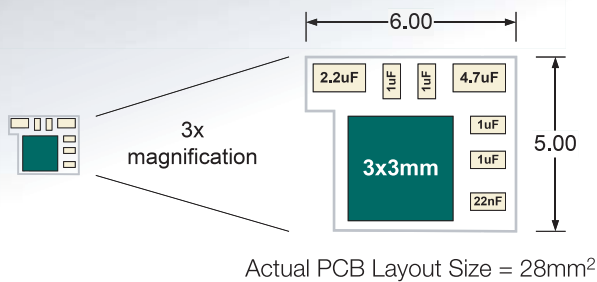
World's Smallest Solution

for:

- LCD Backlight
- LED Camera Flash
- CMOS Camera Power



- ▶ 1x/1.5x/2x Charge Pump
- ▶ 4 LED Backlight Sinks
- ▶ 85% Average Backlight Efficiency (over the Li-ion Battery Discharge Curve)
- ▶ 700mA LED Camera Flash with 1sec safety timer
- ▶ 2 Low-Noise LDO Regulators
- ▶ SC627 = SemWire™ - a True Single Wire Interface
- ▶ SC627A = I²C Serial Interface
- ▶ Output Over-Voltage/Short-Circuit Protection
- ▶ Pb-Free, fully WEEE & RoHS compliant
- ▶ 3x3 MLPQ (0.6mm max. height)



Semtech SC627 Family

Part	Charge Pump	Backlight Sinks	Flash Sinks	LDOs	Interface	Package
SC620	--	8 x 25mA	--	--	I ² C	3x3mm
SC621	1x/1.5x/2x	4 x 25mA	1 x 400mA	2 x 100mA	SemWire/I ² C	3x3mm
SC622	1x/1.5x/2x	--	1 x 400mA	2 x 100mA	SemWire/I ² C	3x3mm
SC623	1x/1.5x/2x	4 x 25mA	1 x 400mA	--	SemWire/I ² C	3x3mm
SC624	1x/1.5x/2x	4 x 25mA	--	2 x 100mA	SemWire/I ² C	3x3mm
SC627	1x/1.5x/2x	4 x 25mA	1 x 700mA	2 x 100mA	SemWire/I ² C	3x3mm

Learn more: www.semtech.com/cn/eetap807