



Advanced Smart Sensing Solution

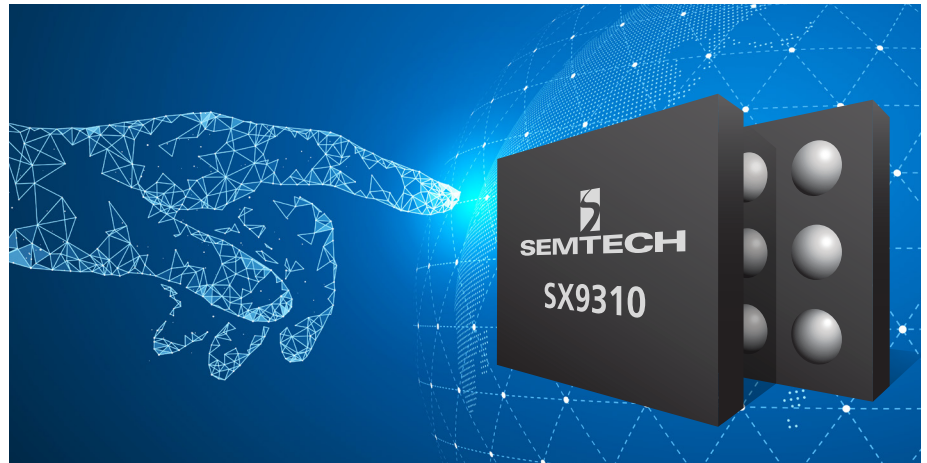
SX9310

KEY FEATURES

- Unique on-chip smart engine for human body detection and Specific Absorption Rate (SAR) control
- Integrated high-performance RF shield for enhanced noise immunity
- Capacitance offset compensation up to 100pF
- Exceptional low temperature drift for stable measurement
- Built-in startup proximity detection
- 2.7V – 5.5V core supply (VDD)
 - 1.65V – 5.5V compliant host interface (VPULL)
- Up to three channels high resolution capacitive sensing inputs
- Ultra-low power consumption:
 - Doze mode: 8μA
- Extremely compact footprint (1.36 x 1.33mm WLCSP)

APPLICATIONS

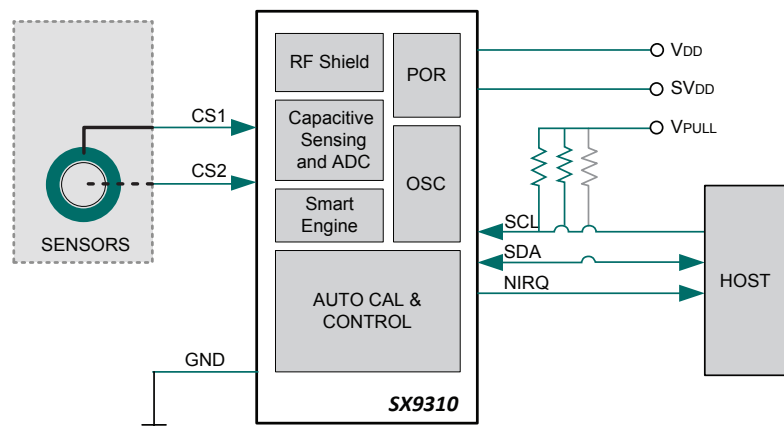
- Mobile phones
- Wearable devices
- Tablets
- Notebooks
- Mobile hotspots



Smart Sensing Solution: SX9310

Lowest Power Consumption with Highest Sensing Performance

Semtech's smart sensing solution, SX9310, features best-in-class sensitivity for optimal human presence detection allowing electronics manufactures to comply with worldwide SAR regulations. The SX9310 provides the highest sensing resolution and most reliable measurement while consuming a low amount of power. The platform is ideal for the increasing demands of technology solutions that need human body detection and advanced SAR control (i.e. smartphones, tablets, wearables).



SX9310 Block Diagram