



Load Switches Power Solutions

FEATURES

- Superior performance to competition
 - Better Rds ON
 - Improved ESD capability
 - Low leakage currents
- Full family of standard load switches available today
 - 0.5A, 2A and 4A
- Advanced functionality
 - Reverse blocking
 - Current limit
 - Reverse blocking with current limit
- Support industry standard footprints



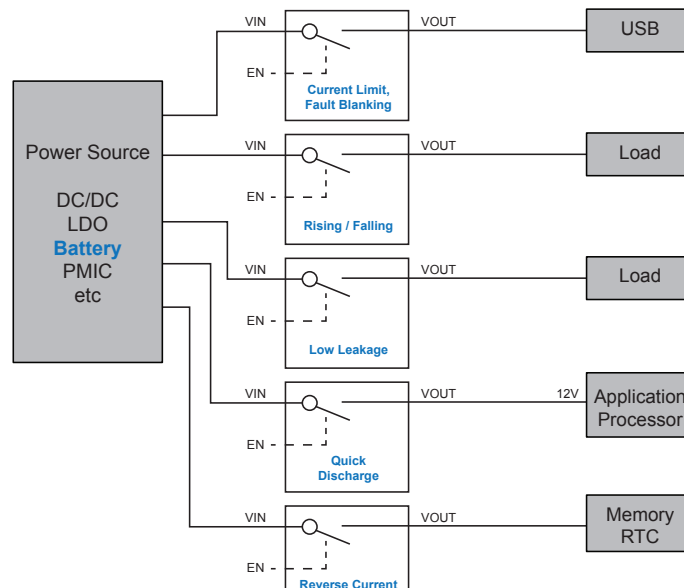
APPLICATIONS

- Industrial
- Computing
- Communications
- Battery powered mobile applications

Why Load Switches?

POWER MANAGEMENT SOLUTIONS

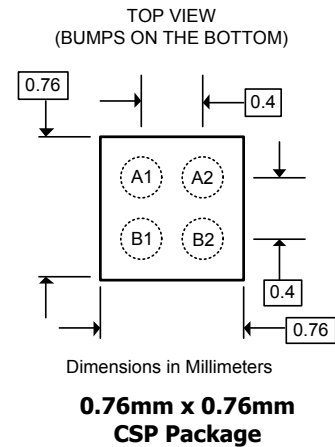
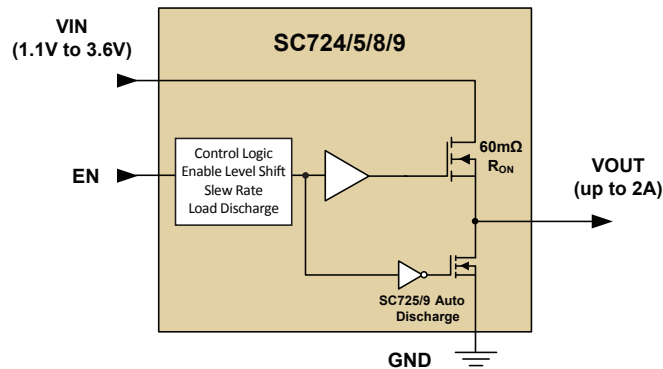
- Power distribution
- Controlled power down
- Reduced leakage
- Protection features (Reverse current blocking)
- Ease of implementation (reduced component count and space)



Block Diagram

SC724/5/8/9- 2A LOAD SWITCH FAMILY FEATURES

- Low V_{IN} 1.1V to 3.6V
- Ultra-low R_{ON} – 36m Ω (typ) at 1.8V $_{IN}$
- 2A continuous output current
- No reverse leakage to enable pin
- SC725/9 includes auto discharge circuit
- 3KV ESD
- SC728/9 alternate bump pattern
- 0.76mm x 0.76mm CSP package

**Load Switch Product Summary & Ordering Info**

Part #	CHs	I_{OUT} (A)	V_{IN} (V)		Under Voltage	Auto Discharge	Turn-On Delay	Reverse Current Blocking	Current Limiting	Package (mm)	Std Reel Qty
			Min	Max							
SC700WLTRC	1	4.0	0.75	5.25	-	✓	✓	-	-	MLPD-6 (2.0x2.0)	3,000
SC700HWLTRC	1	4.0	0.75	5.25	-	-	✓	-	-	MLPD-6 (2.0x2.0)	3,000
SC701CSTRT	1	4.0	1.7	5.5	-	✓	✓	-	-	CSP-6 (0.9x1.4)	3,000
SC701HCSTRT	1	4.0	1.7	5.5	-	-	✓	-	-	CSP-6 (0.9x1.4)	3,000
SC704CSTRT	1	0.5	1.1	3.6	-	-	-	-	-	CSP-4 (0.76x0.76)	5,000
SC705CSTRT	1	0.5	1.1	3.6	-	✓	✓	-	-	CSP-4 (0.76x0.76)	5,000
SC724CSTRT	1	2.0	1.1	3.6	-	-	-	-	-	CSP-4 (0.76x0.76)	5,000
SC725CSTRT	1	2.0	1.1	3.6	-	✓	✓	-	-	CSP-4 (0.76x0.76)	5,000
SC728CSTRT	1	2.0	1.1	3.6	-	-	-	-	-	CSP-4 (0.76x0.76)	5,000
SC729CSTRT	1	2.0	1.1	3.6	-	✓	✓	-	-	CSP-4 (0.76x0.76)	5,000
SC33020HCSTRT	1	2.0	1.6	5.5	-	-	-	✓	-	CSP-4 (0.9x0.9)	5,000
TS12001-CxxxDFNR	1	1.0	1.2	4.2	✓	✓	✓	-	✓	DFN 8-L (2.0x2.0)	10,000



200 Flynn Road, Camarillo, California 93012 • phone: (805) 498-2111 • fax: (805) 498-3804