

### POWER MANAGEMENT

#### Features

- Input voltage range — 2.9V to 5.5V
- $V_{OUT}$  tolerance — 4.4V  $\pm$ 3%
- Continuous output current — 250mA
- Peak output current — 500mA
- Three charge pump modes: 1x, 1.5x and 2x
- Output ripple  $\leq$  30mV<sub>PP</sub> for  $I_{OUT} \leq$  400mA
- Short circuit, over-voltage, and over-temperature protection
- Soft-start functionality
- Shutdown current — 0.1 $\mu$ A, typical
- Ultra thin package — 2 x 2 x 0.6 (mm)
- Fully WEEE and RoHS compliant

#### Applications

- Mobile phones
- Multi-LED backlit LCDs
- PMPs
- Digital video cameras
- Digital still cameras
- PDAs
- LED camera flash
- Audio amplifier power

#### Description

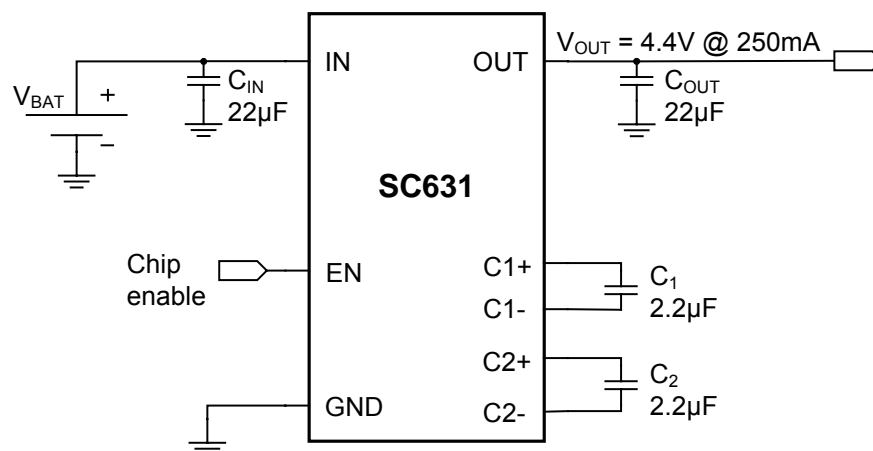
The SC631 is a high-current voltage regulator using Semtech's proprietary low-noise charge pump technology. Performance is optimized for use in single Li-Ion battery cell applications. The regulator provides the performance of a linear, low drop-out (LDO) voltage regulator when the input is greater than 4.4V. Unlike an LDO, drop-out is avoided when the input is less than 4.4V. Instead, a charge pump is activated to provide voltage boost and the head-room needed for voltage regulation.

Only two 2.2 $\mu$ F bucket capacitors are required to deliver the full output current. The charge pump provides a low EMI solution compared to inductive boost regulators.

The SC631's charge pump has three modes of operation: 2x, 1.5x, and 1x modes. The 2x and 1.5x modes deliver current to the load in each of two phases. The 1x mode turns off the charge pump, delivering current through an LDO. When active, the charge pump provides low-ripple operation at 200kHz, which is typically less than 30mVpp at the output. The SC631 is capable of delivering 250mA continuous current, with peak current to 500mA. A 22 $\mu$ F output capacitor is used for decoupling the load and for smoothing mode transitions. Hysteresis is provided to prevent chatter between charge pump modes.

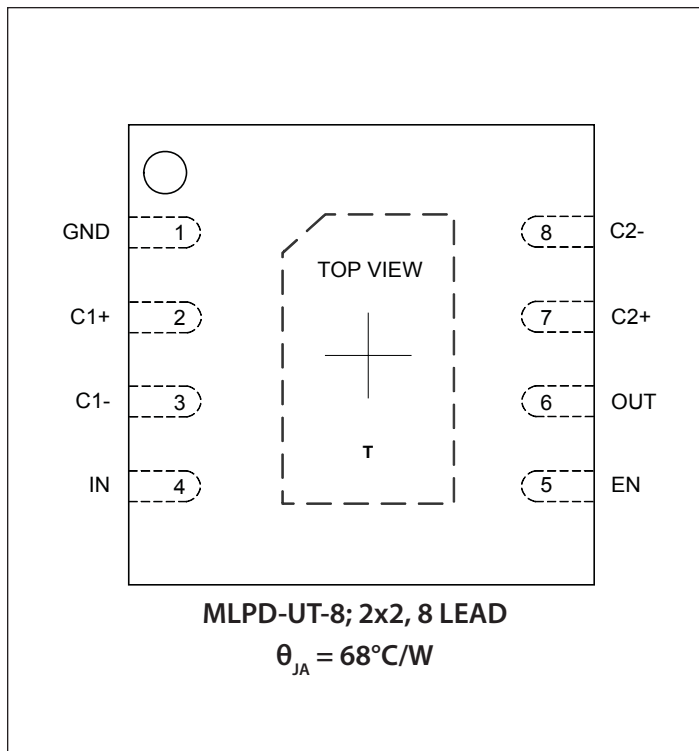
The micro lead-frame package is both small and thermally efficient, measuring 2 x 2 x 0.6 (mm).

#### Typical Application Circuit



Patents Pending

### Pin Configuration



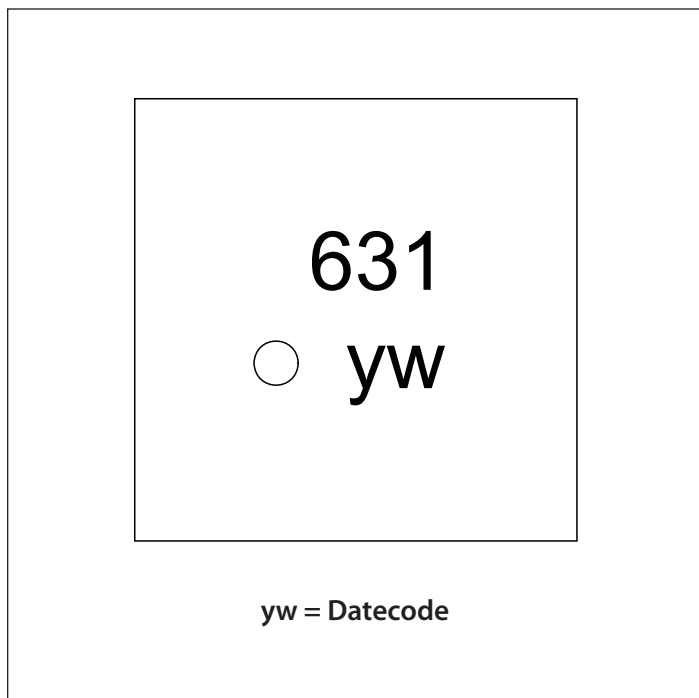
### Ordering Information

Device	Package
SC631ULTRT <sup>(1)(2)</sup>	MLPD-UT-8 2x2
SC631EVB	Evaluation Board

Notes:

- (1) Available in tape and reel only. A reel contains 3,000 devices.
- (2) Lead-free package only. Device is WEEE and RoHS compliant.

### Marking Information



## Absolute Maximum Ratings

IN (V) .....	-0.3 to +6.0
OUT (V) .....	-0.3 to +6.0
C1+, C2+ (V) .....	-0.3 to ( $V_{OUT} + 0.3$ )
Pin Voltage — All Other Pins (V) .....	-0.3 to ( $V_{IN} + 0.3$ )
OUT pin — Short Circuit Duration .....	Continuous
ESD Protection Level <sup>(2)</sup> (kV) .....	2

## Recommended Operating Conditions

Ambient Temperature Range (°C) .....	$-40 \leq T_A \leq +85$
IN (V) .....	$2.9 \leq V_{IN} \leq 5.5$

## Thermal Information

Thermal Resistance, Junction to Ambient <sup>(1)</sup> (°C/W) ....	68
Maximum Junction Temperature (°C) .....	+150
Storage Temperature Range (°C) .....	-65 to +150
Peak IR Reflow Temperature (10s to 30s) (°C) .....	+260

Exceeding the above specifications may result in permanent damage to the device or device malfunction. Operation outside of the parameters specified in the Electrical Characteristics section is not recommended.

### NOTES

- (1) Calculated from package in still air, mounted to 3 x 4.5 (in), 4 layer FR4 PCB with thermal vias under the exposed pad per JESD51 standards.
- (2) Tested according to JEDEC standard JEDEC22-A114-B.

## Electrical Characteristics

Unless otherwise specified:  $T_A = +25^\circ\text{C}$  for Typ,  $-40^\circ\text{C}$  to  $+85^\circ\text{C}$  for Min and Max;  $C_1 = C_2 = 2.2\mu\text{F}$  (ESR < 0.03Ω);  $C_{IN} = C_{OUT} = 22\mu\text{F}$ ;  $V_{IN} = 2.9\text{V}$  to 5.5V

Parameter	Symbol	Condition	Min	Typ	Max	Units
Output Voltage	$V_{OUT}$	$V_{IN} = 4.2\text{V}$ , $I_{OUT} = 1\text{mA}$	4.27	4.4	4.53	V
Output Voltage Ripple	$V_{PP}$	$I_{OUT} \leq 400\text{mA}$		30		mV
Maximum Output Current	$I_{OUT}$	Peak Load - thermally limited <sup>(1)</sup> , $T_J < 150^\circ\text{C}$ , $3.33\text{V} \leq V_{IN} \leq 5.5\text{V}$	500			mA
		Continuous Load, $T_A \leq 55^\circ\text{C}$ , $2.92\text{V} \leq V_{IN} \leq 4.2\text{V}$	325			mA
		Continuous Load	250			mA
Shutdown Current	$I_{SD}$	Shutdown (EN = GND), $V_{IN} = 3.6\text{V}$		0.1	2	μA
Total Quiescent Current	$I_Q$	EN high, $I_{OUT} = 1\text{mA}$		1.5	2.5	mA
Charge Pump Frequency	$f_{PUMP}$	$V_{IN} = 3.2\text{V}$		200		kHz
Start-Up Time	$t_{SU}$	(EN transitions from low to high), $4.27\text{V} \leq V_{OUT} \leq 4.53\text{V}$ , No load		400		μs
Line Regulation	$\Delta V_{LINE}$	$I_{OUT} = 1\text{mA}$ , $2.85\text{V} \leq V_{IN} \leq 4.2\text{V}$			21	mV
Load Regulation	$\Delta V_{LOAD}$	$V_{IN} = 4.2\text{V}$ , $1\text{mA} \leq I_{OUT} \leq 400\text{mA}$			33	mV

## Electrical Characteristics (continued)

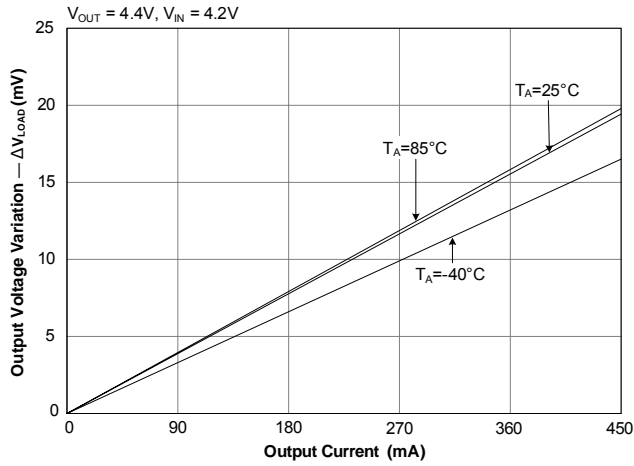
Parameter	Symbol	Condition	Min	Typ	Max	Units
EN Input High Threshold	$V_{IH}$	$V_{IN} = 5.5V$	1.6			V
EN Input Low Threshold	$V_{IL}$	$V_{IN} = 2.7V$			0.4	V
EN Input High Current	$I_{IH}$	$V_{IN} = 5.5V$			2	$\mu A$
EN Input Low Current	$I_{IL}$	$V_{IN} = 5.5V$			2	$\mu A$
Open-Loop Output Resistance	$R_{OUT}$	1x mode		0.25		$\Omega$
		1.5x mode, $V_{IN} = 3.7V$		2.85		$\Omega$
		2x mode, $V_{IN} = 3.1V$		2.9		$\Omega$
Mode Transition Voltage <sup>(2)</sup>	$V_{TRANS\ 1X}$	$I_{OUT} = 200mA$		4.41		V
	$V_{TRANS\ 1.5X}$	$I_{OUT} = 200mA$		3.31		V
<b>Fault Protection</b>						
Short-Circuit Current	$I_{SC}$	$V_{OUT} = 0V, I_{OUT} = I_{IN}$	300	600	980	mA
Input Current Limit	$I_{LIMIT}$	$V_{OUT} > 2V, 1x\ mode$	0.6	1.2	2.0	A
		$V_{OUT} > 2V, 1.5x\ and\ 2x\ modes$	1.2	2.0	2.8	A
		$V_{OUT} \leq 2V, I_{OUT} = I_{IN}$		700		mA
Over Temperature	$T_{OTP}$	Rising Threshold		165		$^{\circ}C$
	$T_{HYS}$	Hysteresis <sup>(3)</sup>		20		$^{\circ}C$

### Notes:

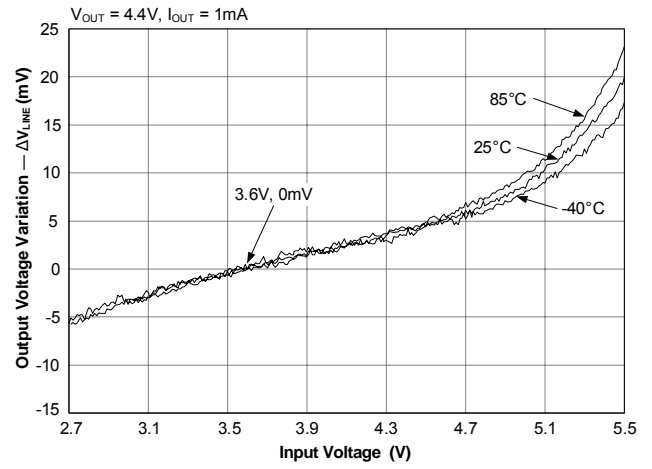
- (1) Thermal limitation is dependent upon the thermal performance of the printed circuit board in support of the package standard of 68° C/W.
- (2) Voltage at the IN pin where a mode transition takes place in the charge pump with  $V_{IN}$  falling.
- (3) Guaranteed by design - not tested in production.

## Typical Characteristics

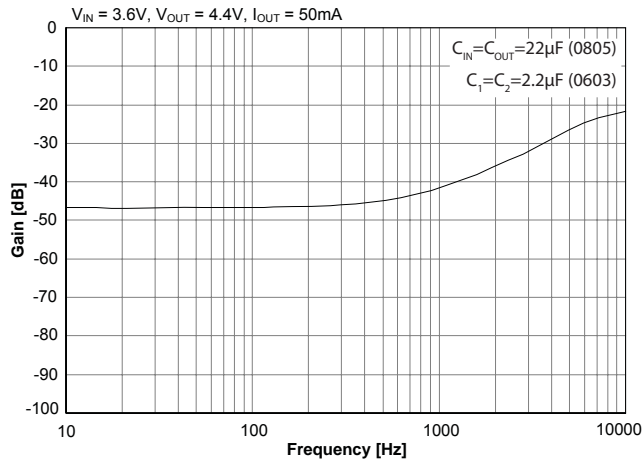
### Load Regulation



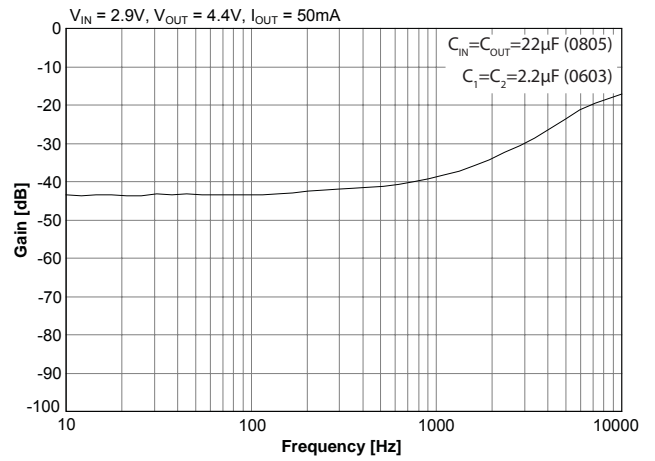
### Line Regulation



### PSRR versus Frequency — 1.5x Mode

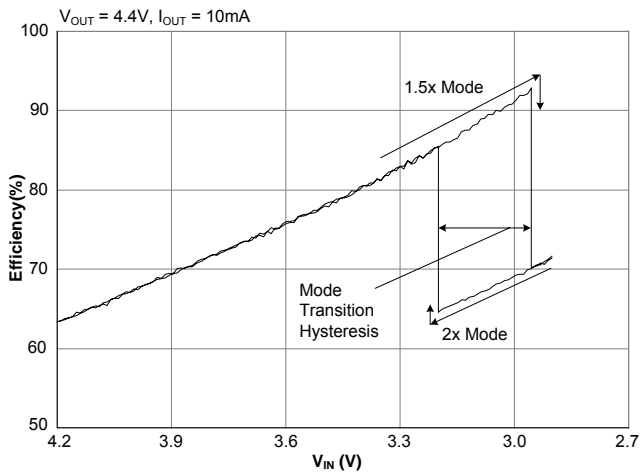


### PSRR versus Frequency — 2x Mode

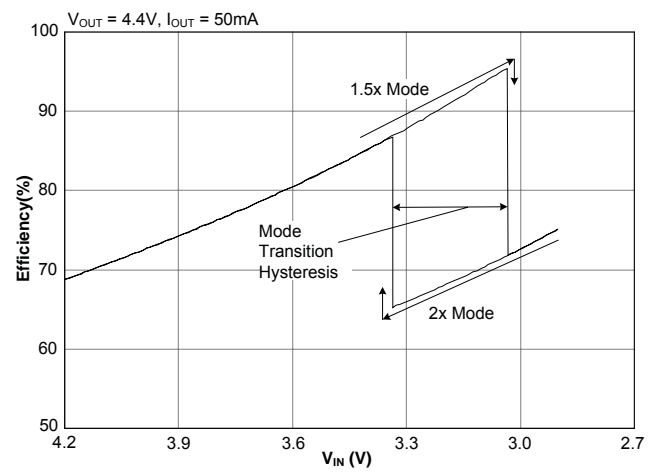


**Typical Characteristics (continued)**

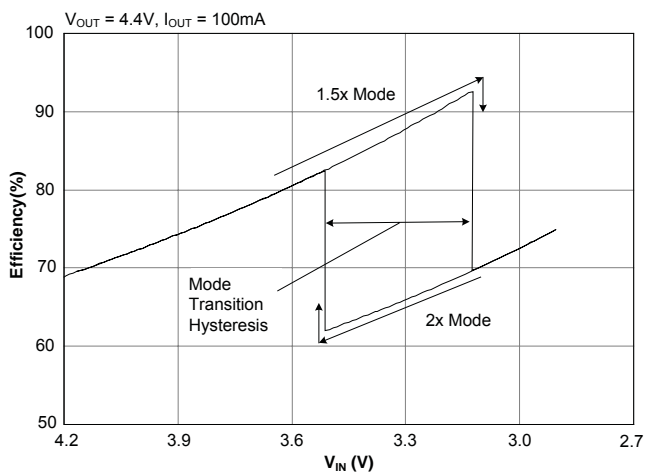
**Efficiency — 10mA**



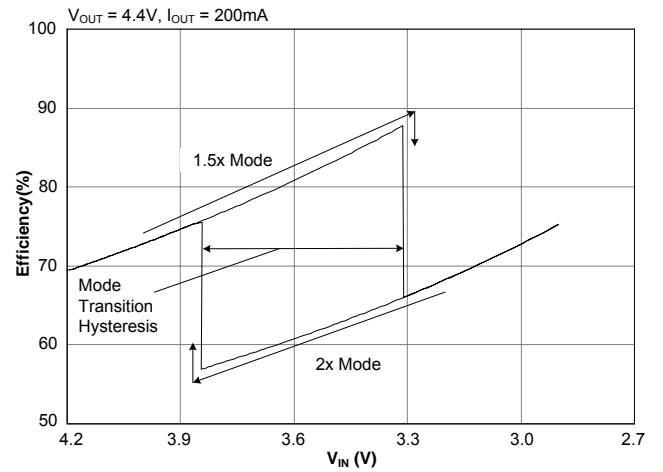
**Efficiency — 50mA**



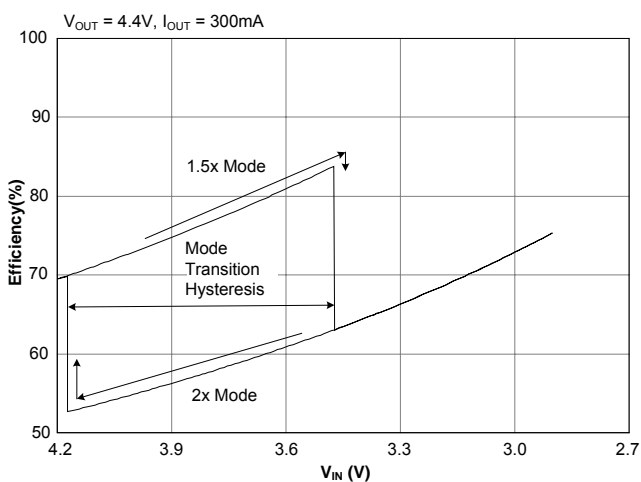
**Efficiency — 100mA**



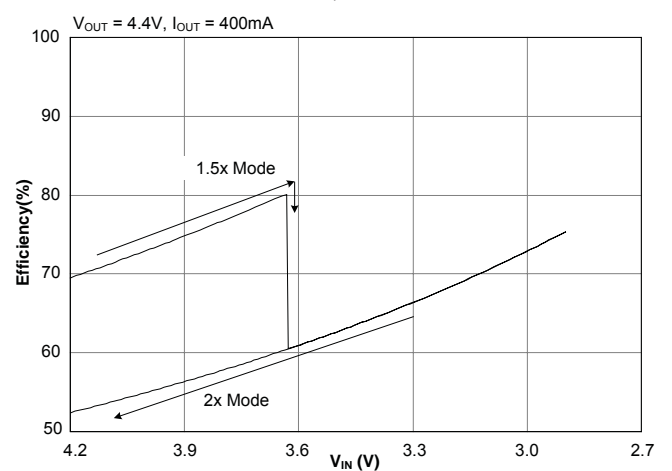
**Efficiency — 200mA**



**Efficiency — 300mA**

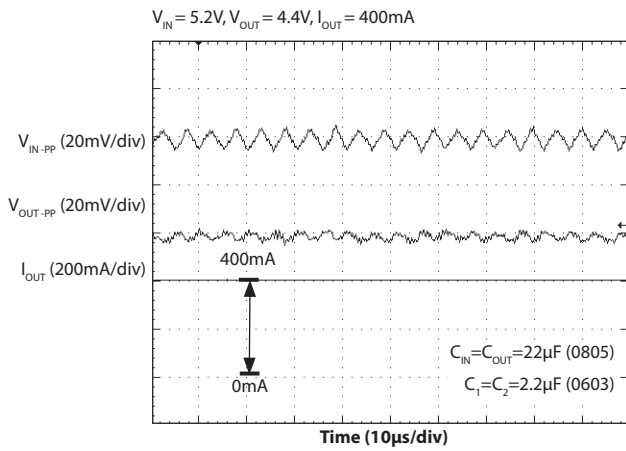


**Efficiency — 400mA**

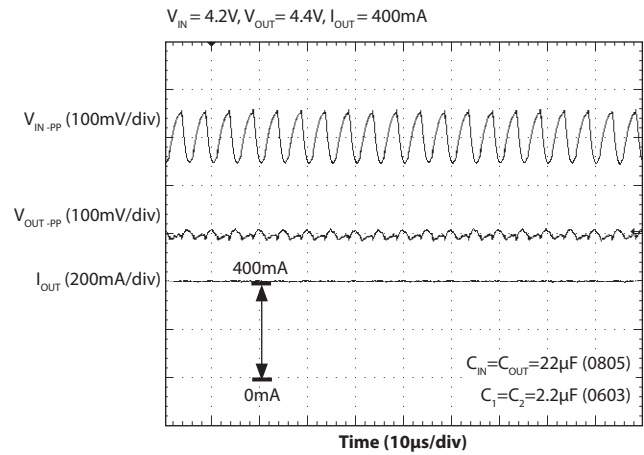


**Typical Characteristics (continued)**

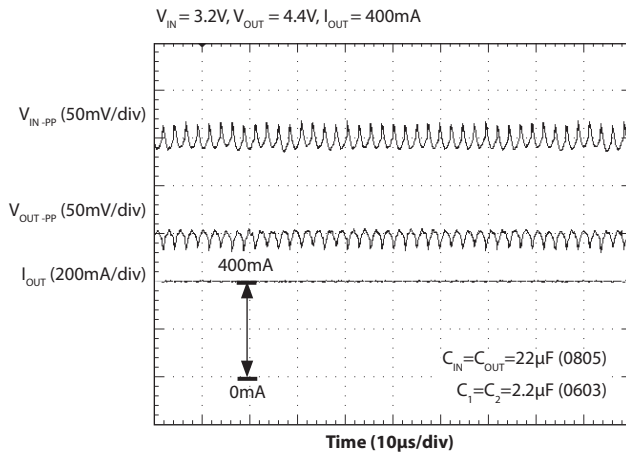
**Ripple — 1x Mode**



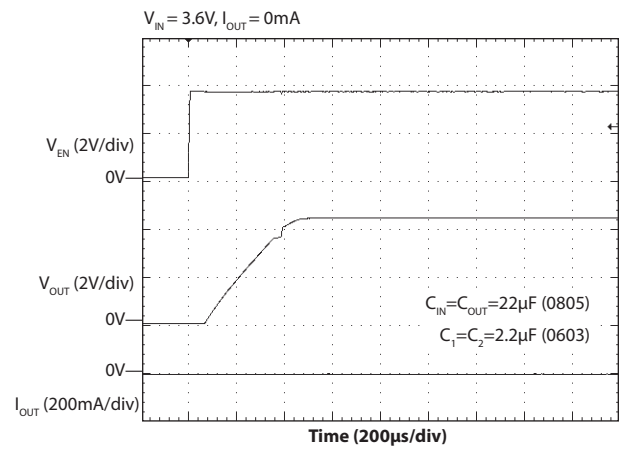
**Ripple — 1.5x Mode**



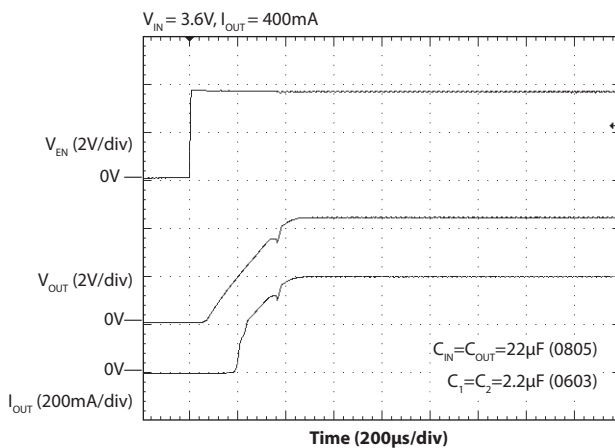
**Ripple — 2x Mode**



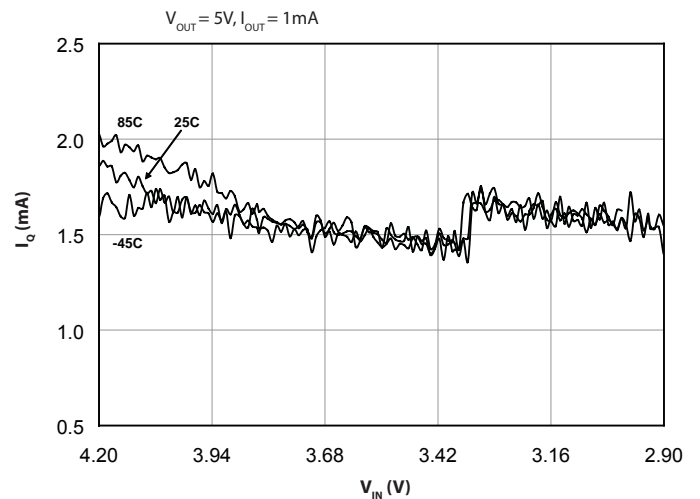
**Startup (No Load)**



**Startup (400mA)**



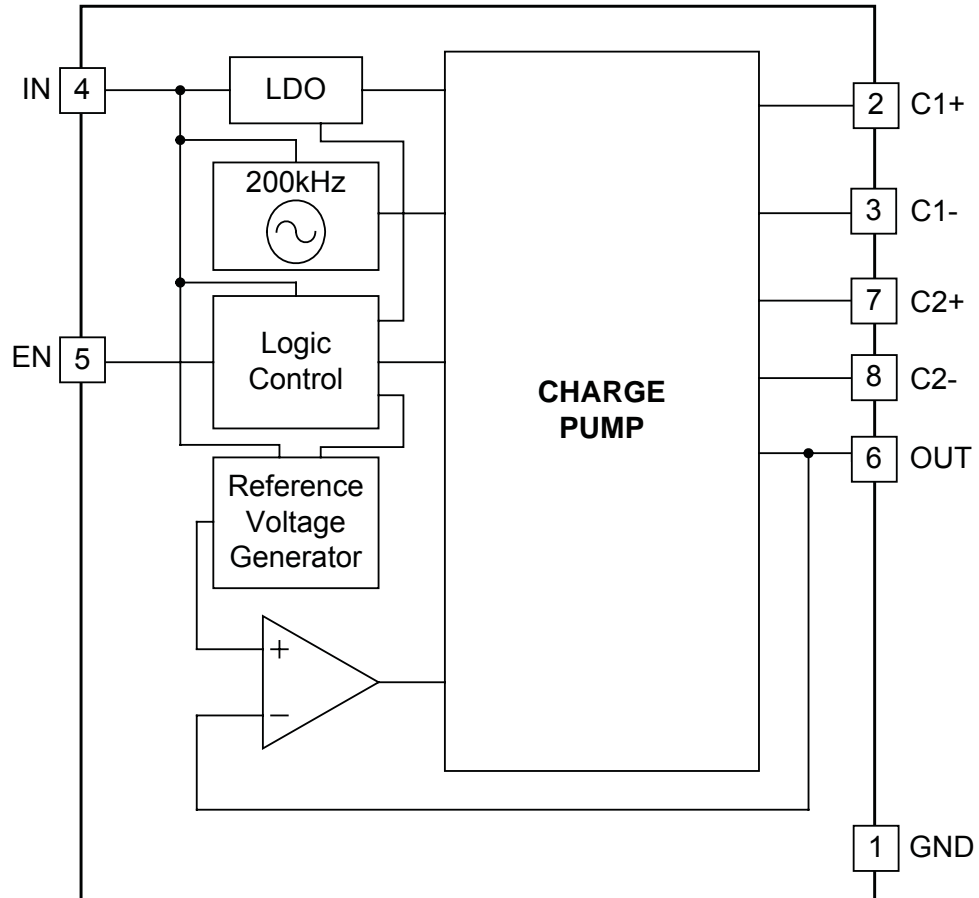
**Quiescent Current**



## Pin Descriptions

Pin	Pin Name	Pin Function
1	GND	Ground — connect to ground plane with multiple vias
2	C1+	Positive terminal of bucket capacitor 1
3	C1-	Negative terminal of bucket capacitor 1
4	IN	Input supply voltage
5	EN	Chip enable — active-high
6	OUT	Output
7	C2+	Positive terminal of bucket capacitor 2
8	C2-	Negative terminal of bucket capacitor 2
T	Thermal Pad	This pad is for heat sinking and is not connected internally. It must be connected to a ground plane using multiple vias.

**Block Diagram**



## Applications Information

### General Description

The SC631 is a 4.4V output charge pump regulator designed to support up to 325mA ( $T_A \leq 55^\circ\text{C}$ ,  $2.92\text{V} \leq V_{\text{IN}} \leq 5.5\text{V}$ ) and 250mA ( $T_A \leq 85^\circ\text{C}$ ,  $2.90\text{V} \leq V_{\text{IN}} \leq 5.5\text{V}$ ) of continuous current. SC631 applications include power for LEDs and audio amplifiers in portable handheld equipment. SC631 may be used in conjunction with regulated current sink devices such as the SC620 Octal LED Driver or with ballast resistors.

The SC631 has three operating modes — 1x, 1.5x, and 2x. The 1x mode is a linear series regulation mode with a low open-loop output resistance of only 250m $\Omega$ . The 1x mode functions as a low-noise linear regulator. The 1.5x and 2x modes are a low noise, constant frequency, constant duty cycle switch mode, using two bucket capacitors. One bucket supports the full output current while the other bucket charges from the input. The two buckets exchange roles in the next phase, supplying continuous output current in both phases and reducing the need for a large output decoupling capacitor. The constant frequency, constant duty cycle operation also produces predictable constant frequency harmonics.

### Mode Transition Hysteresis

Hysteresis is provided to prevent chatter between charge pump modes for input steps of up to 120mV. For optimum transient performance, it is recommended for the supply decoupling capacitance be large enough to prevent steps greater than 120mV. Normally  $C_{\text{IN}} = 22\mu\text{F}$  is sufficient to minimize supply transients during the charge pump mode transitions.

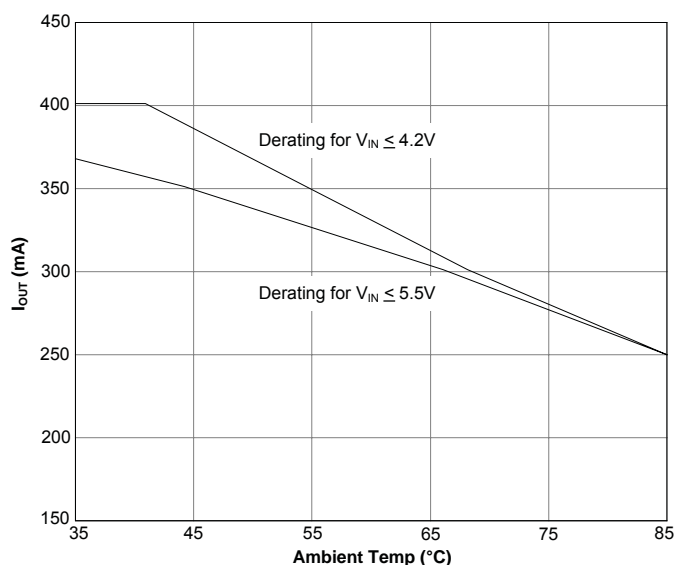
### Thermal Resistance

The SC631 package is thermally efficient when the circuit board layout connects the thermal pad through multiple vias to the ground plane. The thermal resistance rating is dependent upon the connection between the thermal pad and the ground plane. A layout that is done correctly should keep the junction temperature below the over-

temperature limit while operating the SC631 within the specified electrical conditions. A poor layout may allow the junction temperature to reach the over temperature limit, so it is important to maintain adequate ground plane around the device to maximize heat transfer to the PCB.

### Temperature Derating

The  $V_{\text{IN}}$  supply range and ambient temperature range of the application should be compared with the following derating curve to determine the maximum safe continuous load current. The DC operating points beneath each curve are in the safe operating temperature range of the MLP package.



Maximum Continuous Output

### Protection Circuitry

The SC631 also provides protection circuitry that prevents the device from operating in an unspecified state. These functions include:

- Over-Current Protection (OCP)
- Short-Circuit Current Protection (SCCP)
- Over-Temperature Protection (OTP)

## Applications Information (continued)

### Over-Current Protection

Over-current protection is provided to limit the output current. When  $V_{OUT}$  is greater than 2V, OCP limits the output to 1A typical. The 2V threshold allows the device to recover from excessive voltage droop during an over-current event.

### Short-Circuit Current Protection

Short-circuit current protection is provided to limit the current that can be sourced when the output is shorted to ground. When a short circuit forces  $V_{OUT}$  to drop below 2V, the SCCP detects the condition and limits the output current to 600mA (typical).

### Over-Temperature Protection

The over-temperature circuit helps prevent the device from overheating and experiencing a catastrophic failure. When the junction temperature exceeds 165°C, the device is disabled. It remains disabled until the junction temperature drops below this threshold. Hysteresis is included that prevents the device from re-enabling until the junction temperature is reduced by 20°C.

### Capacitor Selection

The SC631 is designed to use low-ESR ceramic capacitors for the input and output bypass capacitors as well as the charge pump bucket capacitors. Ideal performance is achieved when the bucket capacitors are exactly equal. The value of input and output decoupling capacitors will vary with system requirements. For best ripple performance  $C_{IN}$  and  $C_{OUT}$  are normally 22 $\mu$ F and the bucket capacitors  $C_1$  and  $C_2$  are 2.2 $\mu$ F. For low profile designs, two 10 $\mu$ F capacitors may be used in place of each 22 $\mu$ F.

When selecting capacitors for the application, the DC voltage characteristic of the capacitor should be considered. The value of capacitance at the DC operating voltage may be considerably lower than the rated value. The following table lists recommended capacitor values which have been chosen to minimize the impact of this limitation.

Table 1 — Recommended Capacitors

Capacitor	Value $\mu$ F	Case Size	Notes
$C_{IN}, C_{OUT}$	22	0805	Typical output $V_{pp} \leq 20$ mV in all charge pump modes Typical input ripple $\leq 100$ mV in all charge pump modes
$C_{BUCKET}$	2.2	0603	Required for the full rated output current
$C_{BUCKET}$	2.2	0402	Useful for load current up to 300mA

NOTE: Use only X5R type capacitors, with a 6.3V rating or higher

The highest capacitance values in the smallest package sizes tend to have poor DC voltage characteristics. The highest value 0402 size capacitor retains as little as 35% of its rated value at 5VDC. The same value chosen in the next larger package size (0603) retains about 60% of its rated value at 5VDC.

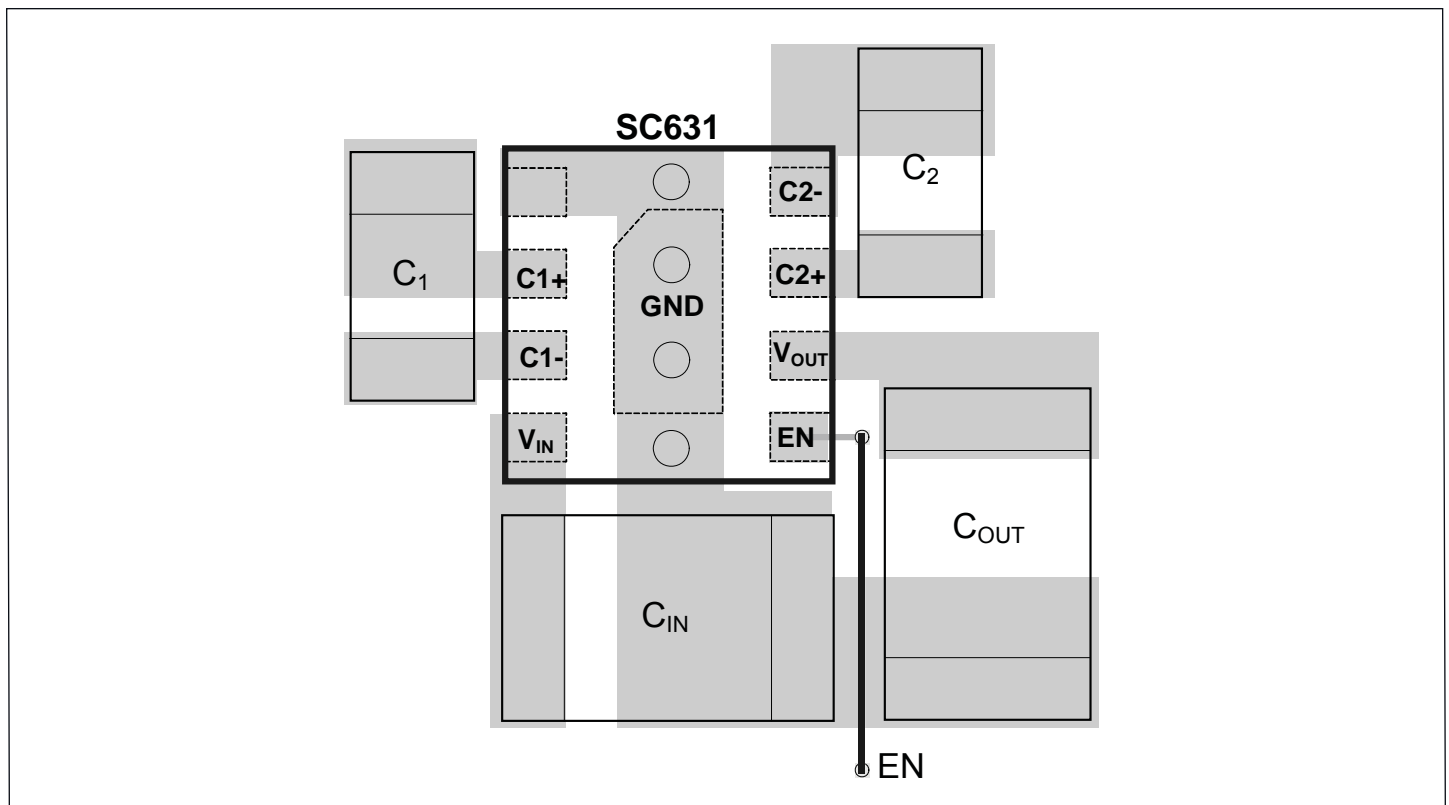
## Applications Information (continued)

### PCB Layout Considerations

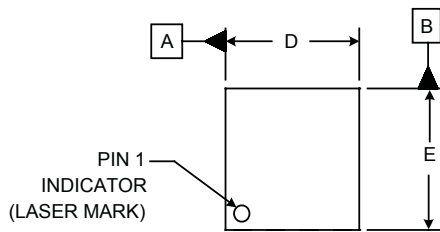
Poor layout can degrade the performance of the regulator and can be a contributory factor in EMI problems, ground bounce, thermal issues, and resistive voltage losses. Poor regulation and instability can result.

The following design rules are recommended:

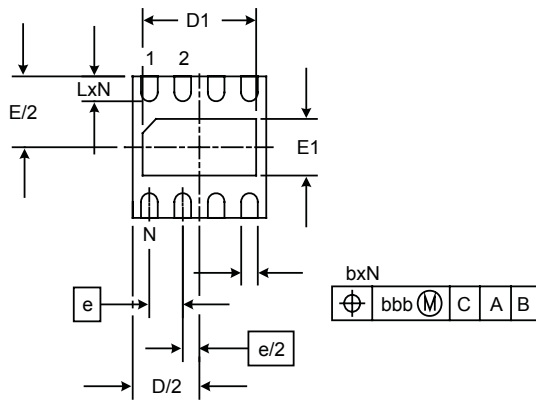
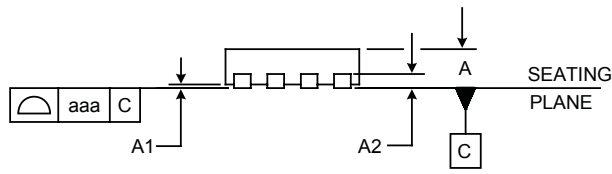
1. Place the bucket capacitors as close to the device as possible and on the same side of the board. Use short wide copper areas between the capacitor pins and the device pins.
2. Place the input and output decoupling capacitors as close as possible to the device and connect these capacitors' ground pads together to the ground plane using multiple vias through a short wide copper area.
3. Connect pin 1 directly to the copper area under the thermal pad.
4. The thermal pad at the center of the device is not electrically connected. Connect this pad to the ground plane using multiple vias.
5. Use a ground plane to further reduce noise interference on sensitive circuit nodes.



### Outline Drawing — MLPD-UT-8 2x2



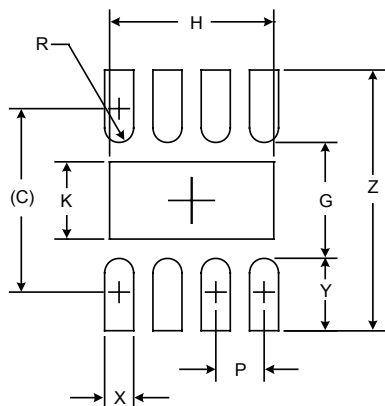
DIM	INCHES			MILLIMETERS		
	MIN	NOM	MAX	MIN	NOM	MAX
A	.020	-	.024	0.50	-	0.60
A1	.000	-	.002	0.00	-	0.05
A2	(.006)			(0.1524)		
b	.007	.010	.012	0.18	0.25	0.30
D	.075	.079	.083	1.90	2.00	2.10
D1	.061	.067	.071	1.55	1.70	1.80
E	.075	.079	.083	1.90	2.00	2.10
E1	.026	.031	.035	0.65	0.80	0.90
e	.020 BSC			0.50 BSC		
L	.012	.014	.016	0.30	0.35	0.40
N	8			8		
aaa	.003			0.08		
bbb	.004			0.10		



NOTES:

1. CONTROLLING DIMENSIONS ARE IN MILLIMETERS (ANGLES IN DEGREES).
2. COPLANARITY APPLIES TO THE EXPOSED PAD AS WELL AS THE TERMINALS.

## Land Pattern — MLPD-UT-8 2x2



DIMENSIONS		
DIM	INCHES	MILLIMETERS
C	(.077)	(1.95)
G	.047	1.20
H	.067	1.70
K	.031	0.80
P	.020	0.50
R	.006	0.15
X	.012	0.30
Y	.030	0.75
Z	.106	2.70

### NOTES:

1. CONTROLLING DIMENSIONS ARE IN MILLIMETERS (ANGLES IN DEGREES).
2. THIS LAND PATTERN IS FOR REFERENCE PURPOSES ONLY. CONSULT YOUR MANUFACTURING GROUP TO ENSURE YOUR COMPANY'S MANUFACTURING GUIDELINES ARE MET.
3. THERMAL VIAS IN THE LAND PATTERN OF THE EXPOSED PAD SHALL BE CONNECTED TO A SYSTEM GROUND PLANE. FAILURE TO DO SO MAY COMPROMISE THE THERMAL AND/OR FUNCTIONAL PERFORMANCE OF THE DEVICE.

## Contact Information

Taiwan

Tel: 886-2-2748-3380  
Fax: 886-2-2748-3390

Switzerland

Tel: 41-32-729-4000  
Fax: 41-32-729-4001

Korea

Tel: 82-2-527-4377  
Fax: 82-2-527-4376

United Kingdom

Tel: 44-1794-527-600  
Fax: 44-1794-527-601

Shanghai

Tel: 86-21-6391-0830  
Fax: 86-21-6391-0831

France

Tel: 33-(0)169-28-22-00  
Fax: 33-(0)169-28-12-98

Japan

Tel: 81-3-6408-0950  
Fax: 81-3-6408-0951

Germany

Tel: 49-(0)8161-140-123  
Fax: 49-(0)8161-140-124