

### POWER MANAGEMENT

#### Description

The SC1186 combines a synchronous voltage mode controller with two low-dropout linear regulators providing most of the circuitry necessary to implement three DC/DC converters for powering advanced microprocessors such as Pentium® II & III.

The SC1186 switching section features an integrated 5 bit D/A converter, latched drive output for enhanced noise immunity, pulse by pulse current limiting and logic compatible shutdown. The SC1186 switching section operates at a fixed frequency of 140kHz, providing an optimum compromise between size, efficiency and cost in the intended application areas. The integrated D/A converter provides programmability of output voltage from 2.0V to 3.5V in 100mV increments and 1.30V to 2.05V in 50mV increments with no external components.

The SC1186 linear sections are low dropout regulators with short circuit protection, supplying 1.5V for GTL bus and 2.5V for non-GTL I/O. The Reference voltage is made available for external linear regulators.

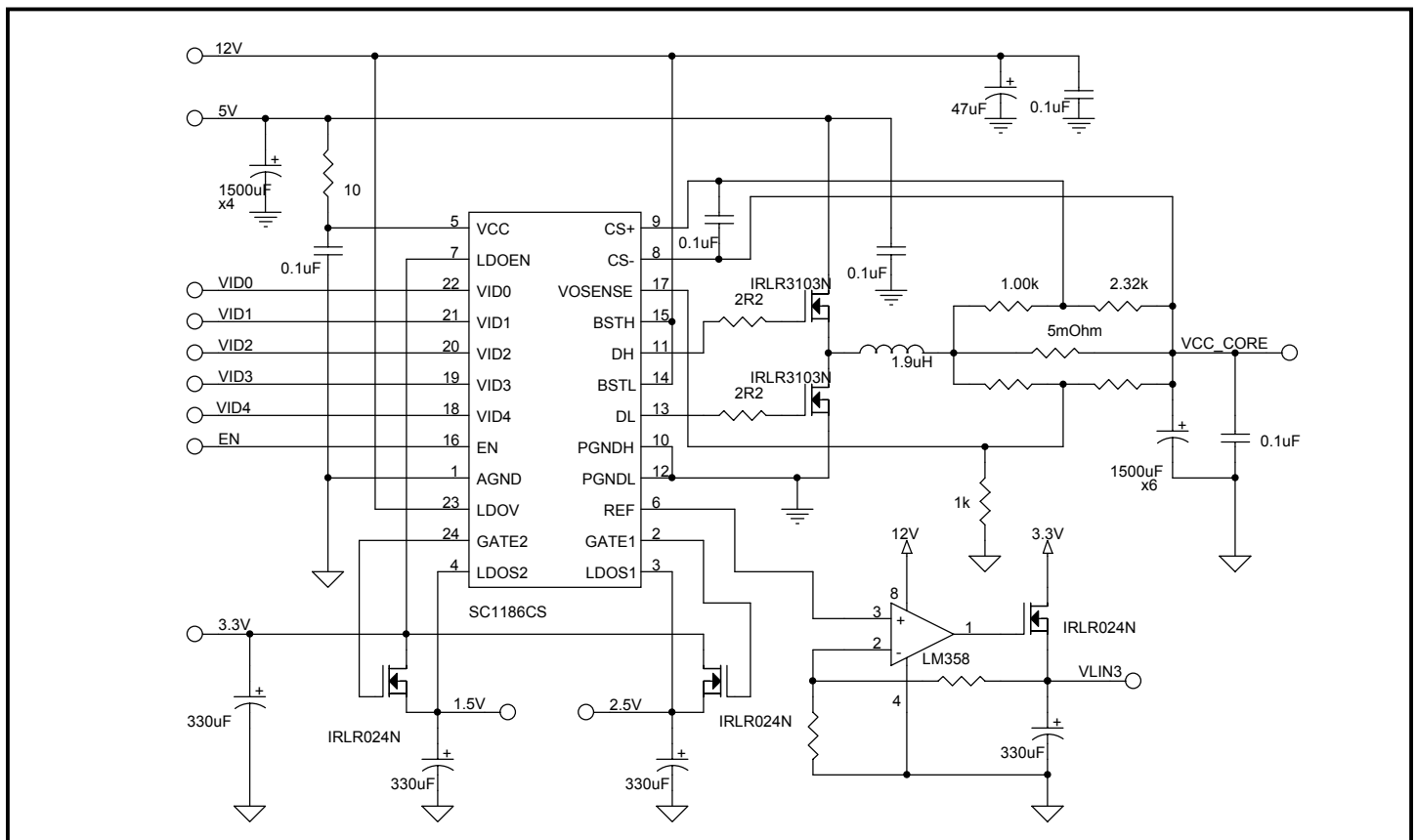
#### Features

- ◆ Synchronous design, enables no heatsink solution
- ◆ 95% efficiency (switching section)
- ◆ 5 bit DAC for output programmability
- ◆ Designed for Intel Pentium® II & III requirements
- ◆ 1.5V, 2.5V short circuit protected linear controllers
- ◆ 1.265V ± 1.5% Reference available

#### Applications

- ◆ Pentium® II & III microprocessor supplies
- ◆ Flexible motherboards
- ◆ 1.3V to 3.5V microprocessor supplies
- ◆ Programmable triple power supplies

#### Typical Application Circuit



**POWER MANAGEMENT**
**Absolute Maximum Ratings**

Exceeding the specifications below may result in permanent damage to the device, or device malfunction. Operation outside of the parameters specified in the Electrical Characteristics section is not implied. Exposure to Absolute Maximum rated conditions for extended periods of time may affect device reliability.

Parameter	Symbol	Maximum	Units
VCC to AGND	$V_{IN}$	-0.3 to +7	V
PGNDH, PGNDL to AGND		±1	V
BSTH to PGNDH, BSTL to PGNDL		-0.3 to +15	V
DH to PGNDH, DL to PGNDL (Note2)		-1 to +15	V
Operating Temperature Range	$T_A$	0 to +70	°C
Junction Temperature Range	$T_J$	0 to +125	°C
Storage Temperature Range	$T_{STG}$	-65 to +150	°C
Lead Temperature (Soldering) 10 Sec.	$T_{LEAD}$	300	°C
Thermal Resistance Junction to Ambient	$\theta_{JA}$	80	°C/W
Thermal Impedance Junction to Case	$\theta_{JC}$	25	°C/W

**Electrical Characteristics**

Unless specified: VCC = 4.75V to 5.25V; GND = PGND = 0V; VOSENSE =  $V_O$ ; 0mV < (CS+ - CS-) < 60mV; LDOV = BST = 11.4V to 12.6V;  $T_A$  = 0 to 70°C

Parameter	Conditions	Min	Typ	Max	Units
<b>Switching Section</b>					
Output Voltage	$I_O = 2A$ in Application Circuit	See Output Voltage Table			
Supply Voltage	VCC	4.5		7	V
Supply Current	VCC = 5.0V		8	15	mA
Load Regulation	$I_O = 0.8A$ to 15A		1		%
Line Regulation			±0.5		%
Current Limit Voltage		60	70	85	mV
Oscillator Frequency		120	140	160	kHz
Oscillator Max Duty Cycle		90	95		%
Peak DH Sink/Source Current	BSTH - DH = 4.5V, DH- PGNDH = 3.3V DH- PGNDH = 1.5V	1 100			A mA
Peak DL Sink/Source Current	BSTL - DL = 4.5V, DL - PGNDL = 3.3V DL- PGNDH = 1.5V	1 100			A mA
Gain ( $A_{OL}$ )	VOSENSE to $V_O$		35		dB
VID Source Current	VIDx < 2.4V	1	10		uA
VID Leakage	VIDx = 5V			10	uA
Power good threshold voltage		88		112	%
Dead Time		40	100		ns

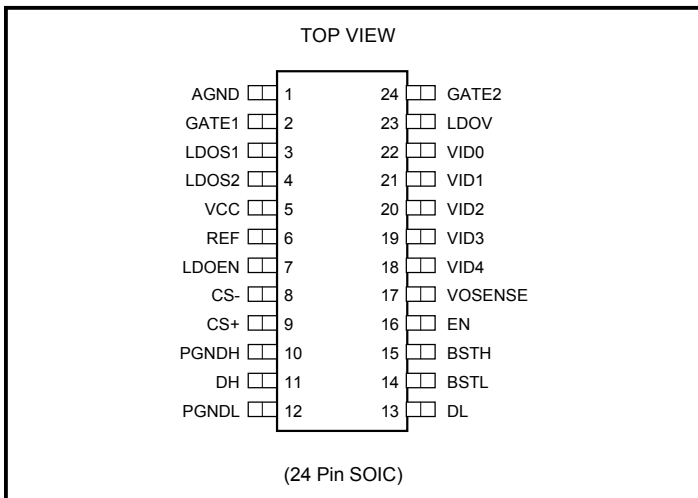
**POWER MANAGEMENT**
**Electrical Characteristics (Cont.)**

Unless specified: VCC = 4.75V to 5.25V; GND = PGND = 0V; VOSENSE = V<sub>o</sub>; 0mV < (CS+ - CS-) < 60mV; LDOV = BST = 11.4V to 12.6V; T<sub>A</sub> = 0 to 70°C

Parameter	Conditions	Min	Typ	Max	Units
Linear Sections					
Quiescent Current	LDOV = 12V			5	mA
Output Voltage LDO1		2.493	2.525	2.556	V
Output Voltage LDO2		1.496	1.515	1.534	V
Reference Voltage	I <sub>ref</sub> < 100µA	1.246	1.265	1.284	V
Gain (A <sub>OL</sub> )	LDOS (1,2) to GATE (1,2)		90		dB
Load Regulation	I <sub>o</sub> = 0 to 8A			0.3	%
Line Regulation				0.3	%
Output Impedance	VGATE = 6.5V		1	1.5	kΩ
LDOV Undervoltage Lockout		6.5	8.0	10	V
LDOEN Threshold		1.3		1.9	V
LDOEN Sink Current	LDOEN = 3.3V LDOEN = 0V		0.01 -200	1.0 -300	µA µA
Overcurrent Trip Voltage	% of V <sub>o</sub> set point	20	40	60	%
Power-up Output Short Circuit Immunity		1	5	60	ms
Output Short Circuit Glitch Immunity		0.5	4	20	ms
Gate Pulldown Impedance	GATE (1,2) -AGND; VCC+BST=0V	80	300	750	kΩ
VOSENSE Impedance		10			kΩ

**Note:**

- (1) This device is ESD sensitive. Use of standard ESD handling precautions is required.
- (2) See Gate Resistor Selection recommendations.

**POWER MANAGEMENT**
**Pin Configuration**

**Ordering Information**

Device <sup>(1)</sup>	Package <sup>(1)</sup>	Linear Voltage	Temp Range (T <sub>J</sub> )
SC1186CSW.TR	SO-24	1.5V/2.5V	0° to 125°C
SC1186CSWTRT <sup>(2)</sup>			

**Notes:**

(1) Only available in tape and reel packaging. A reel contains 1000 devices.

(2) Lead free product. This product is fully WEEE and RoHS compliant.

**Pin Descriptions**

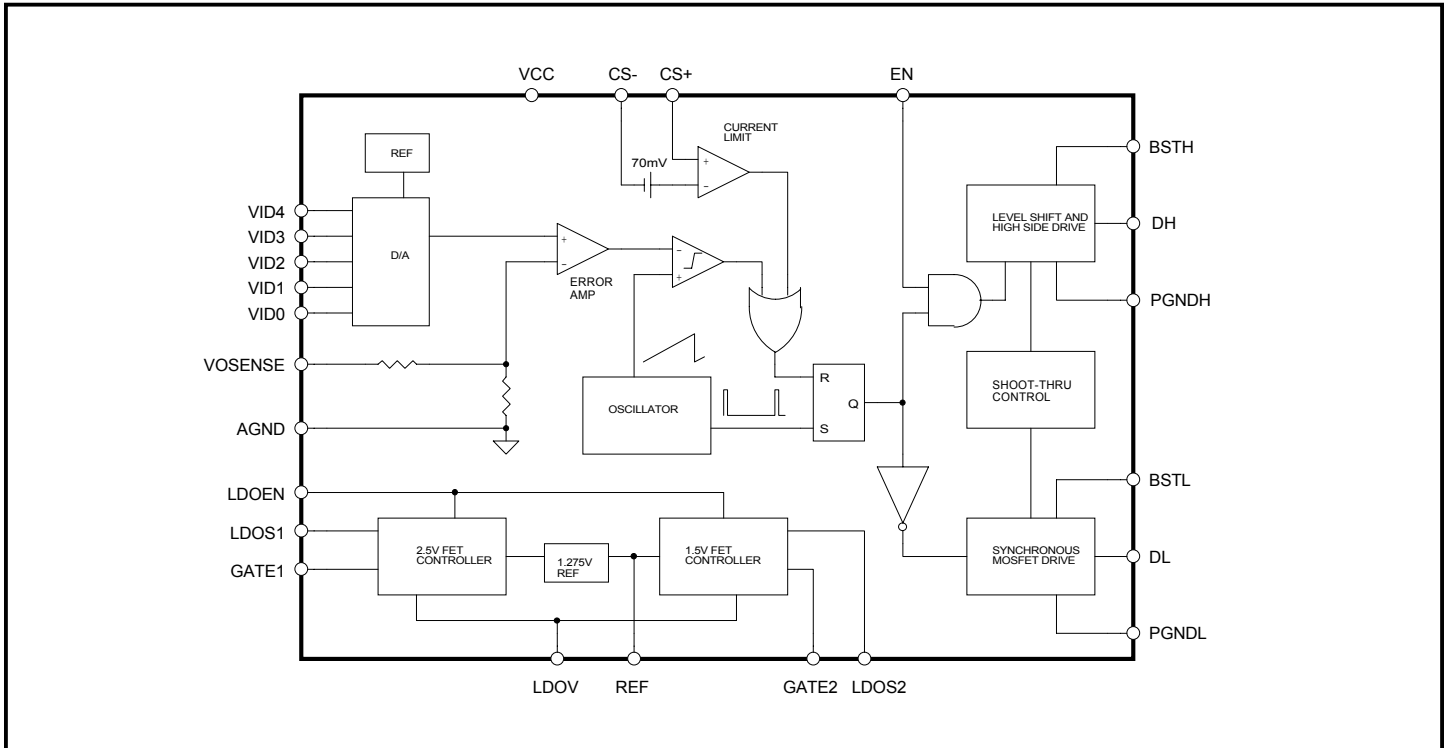
Pin #	Pin Name	Pin Function
1	AGND	Small Signal Analog and Digital Ground
2	GATE1	Gate Drive Output LDO1
3	LDOS1	Sense Input for LDO1
4	LDOS2	Sense Input for LDO2
5	VCC	Input Voltage
6	REF	Buffered Reference Voltage output
7	LDOEN	LDO Supply Monitor.
8	CS-	Current Sense Input (negative)
9	CS+	Current Sense Input (positive)
10	PGNDH	Power Ground for High Side Switch
11	DH	High Side Driver Output
12	PGNDL	Power Ground for Low Side Switch
13	DL	Low Side Driver Output
14	BSTL	Supply for Low Side Driver
15	BSTH	Supply for High Side Driver
16	EN <sup>(1)</sup>	Logic low shuts down the converter, High or open for normal operation
17	VOSENSE	Top end of internal feedback chain.
18	VID4 <sup>(1)</sup>	Programming Input (MSB)
19	VID3 <sup>(1)</sup>	Programming Input
20	VID2 <sup>(1)</sup>	Programming Input
21	VID1 <sup>(1)</sup>	Programming Input
22	VID0 <sup>(1)</sup>	Programming Input (LSB)
23	LDOV	+12V for LDO section
24	GATE2	Gate Drive Output LDO2

**Note:**

(1) All logic level inputs and outputs are open collector TTL compatible.

**POWER MANAGEMENT**

**Block Diagram**



**POWER MANAGEMENT**
**Applications Information - Output Voltage Table**

 Unless specified: 4.75V < VCC < 5.25V; GND = PGND = 0V; VOSENSE = V<sub>O</sub>; 0mV < (CS+-CS-) < 60mV; = 0°C < T<sub>j</sub> < 85°C

Parameter	Conditions	Vid 43210	Min	Typ	Max	Units
Output Voltage <sup>(1)</sup>	I <sub>o</sub> = 2A in Application circuit (Figure 1)	01111	1.277	1.300	1.323	V
		01110	1.326	1.350	1.374	
		01101	1.375	1.400	1.425	
		01100	1.424	1.450	1.476	
		01011	1.478	1.500	1.523	
		01010	1.527	1.550	1.573	
		01001	1.576	1.600	1.624	
		01000	1.625	1.650	1.675	
		00111	1.675	1.700	1.726	
		00110	1.724	1.750	1.776	
		00101	1.782	1.800	1.818	
		00100	1.832	1.850	1.869	
		00011	1.881	1.900	1.919	
		00010	1.931	1.950	1.970	
		00001	1.980	2.000	2.020	
		00000	2.030	2.050	2.071	
		11111	1.970	2.000	2.030	
		11110	2.069	2.100	2.132	
		11101	2.167	2.200	2.233	
		11100	2.266	2.300	2.335	
		11011	2.364	2.400	2.436	
		11010	2.463	2.500	2.538	
		11001	2.561	2.600	2.639	
		11000	2.660	2.700	2.741	
		10111	2.758	2.800	2.842	
		10110	2.842	2.900	2.958	
		10101	2.940	3.000	3.060	
		10100	3.038	3.100	3.162	
10011	3.136	3.200	3.264			
10010	3.234	3.300	3.366			
10001	3.332	3.400	3.468			
10000	3.430	3.500	3.570			

**POWER MANAGEMENT**

**Layout Guidelines**

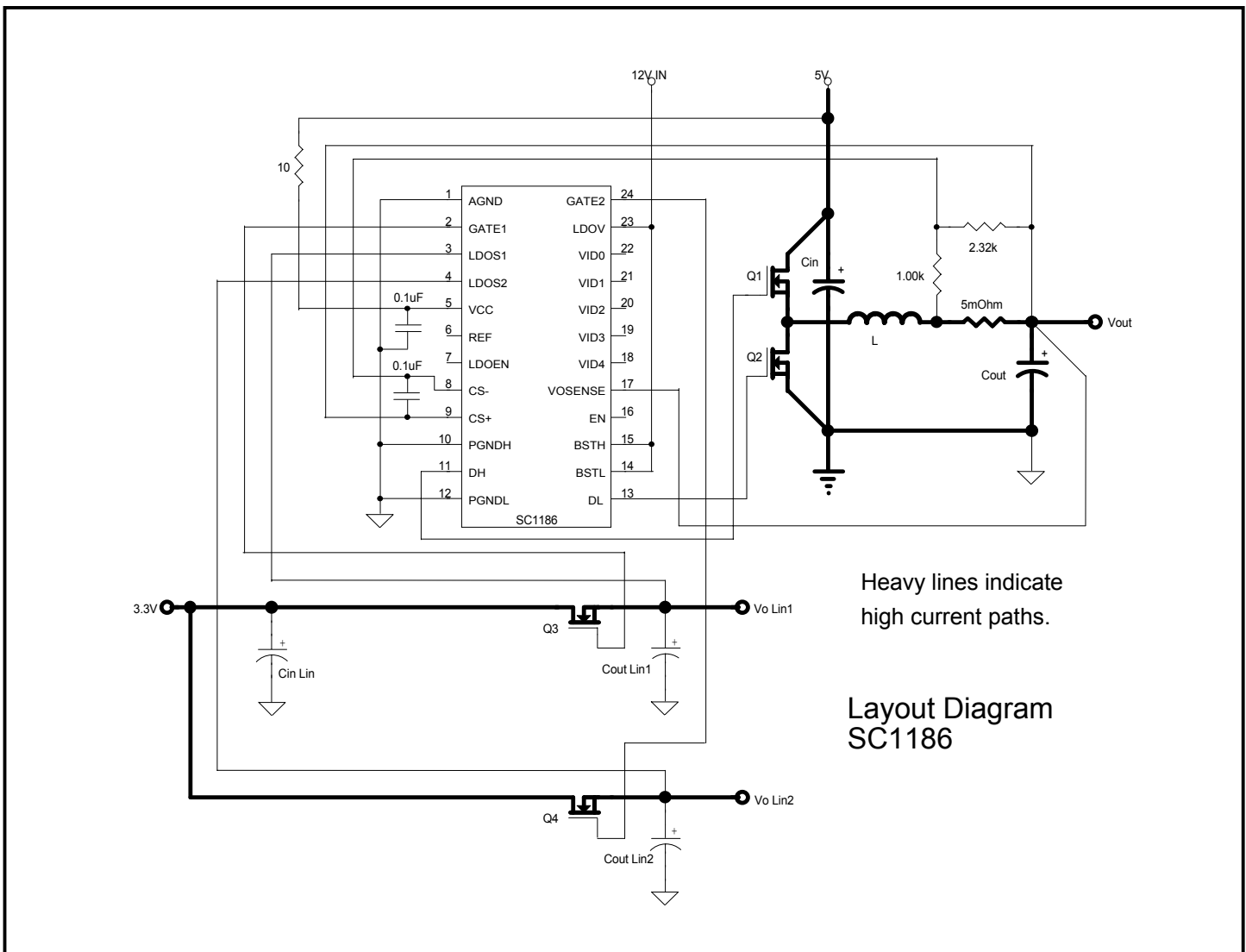
Careful attention to layout requirements are necessary for successful implementation of the SC1186 PWM controller. High currents switching at 140kHz are present in the application and their effect on ground plane voltage differentials must be understood and minimized.

1). The high power parts of the circuit should be laid out first. A ground plane should be used, the number and position of ground plane interruptions should be such as to not unnecessarily compromise ground plane integrity. Isolated or semi-isolated areas of the ground plane may be deliberately introduced to constrain ground currents to particular areas, for example the input capacitor and bottom FET ground.

2). The loop formed by the Input Capacitor(s) (Cin), the Top FET (Q1) and the Bottom FET (Q2) must be kept as small as possible. This loop contains all the high current, fast

transition switching. Connections should be as wide and as short as possible to minimize loop inductance. Minimizing this loop area will a) reduce EMI, b) lower ground injection currents, resulting in electrically “cleaner” grounds for the rest of the system and c) minimize source ringing, resulting in more reliable gate switching signals.

3). The connection between the junction of Q1, Q2 and the output inductor should be a wide trace or copper region. It should be as short as practical. Since this connection has fast voltage transitions, keeping this connection short will minimize EMI. The connection between the output inductor and the sense resistor should be a wide trace or copper area, there are no fast voltage or current transitions in this connection and length is not so important, however adding unnecessary impedance will reduce efficiency.



**POWER MANAGEMENT**

**Layout Guidelines (Cont.)**

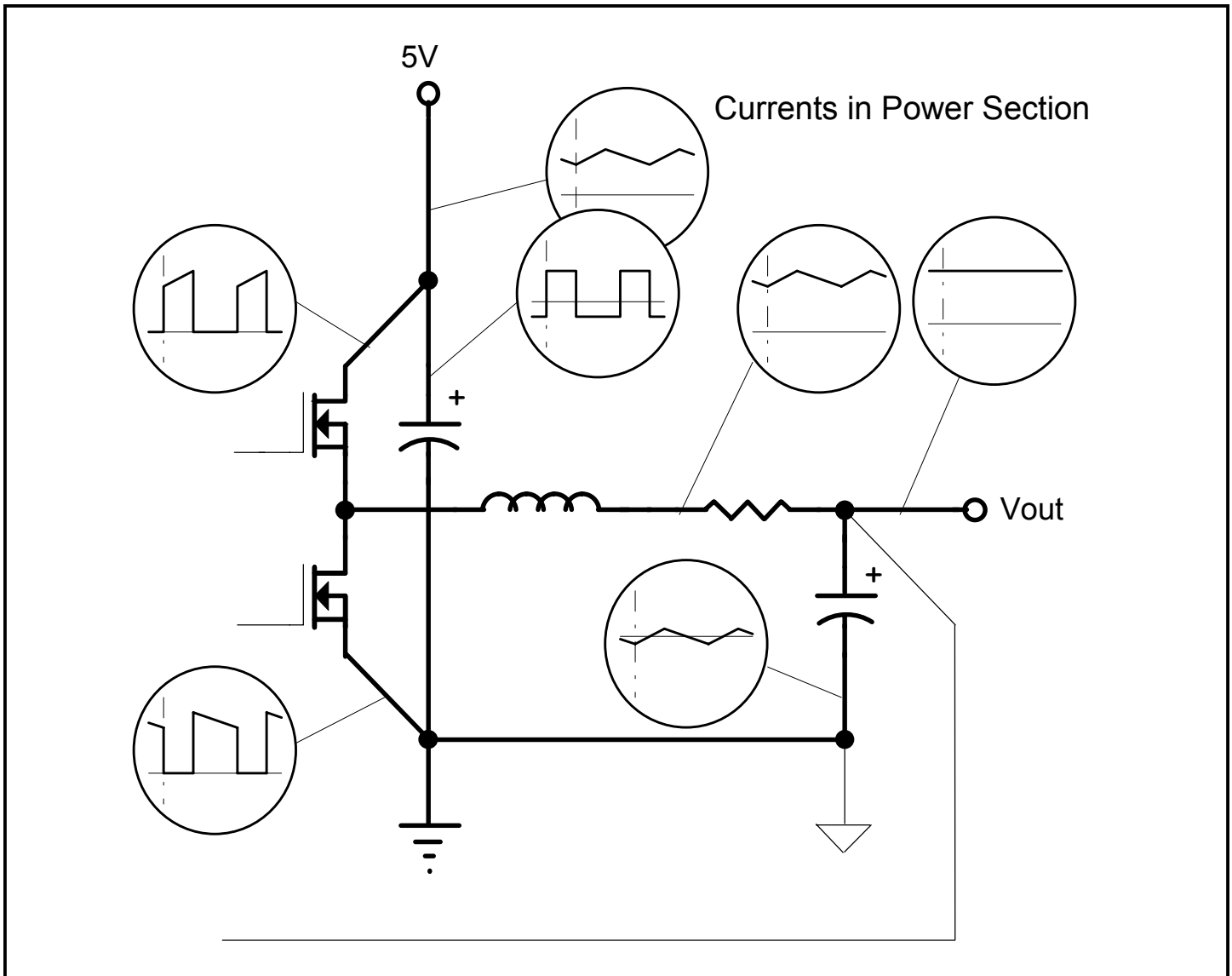
4) The Output Capacitor(s) (Cout) should be located as close to the load as possible, fast transient load currents are supplied by Cout only, and connections between Cout and the load must be short, wide copper areas to minimize inductance and resistance.

5) The SC1186 is best placed over a quiet ground plane area, avoid pulse currents in the Cin, Q1, Q2 loop flowing in this area. PGNDH and PGNDL should be returned to the ground plane close to the package. The AGND pin should be connected to the ground side of (one of) the output capacitor(s). If this is not possible, the AGND pin may be connected to the ground path between the Output Capacitor(s) and the Cin, Q1, Q2 loop. Under no circumstances should AGND be returned to a ground inside the Cin, Q1, Q2 loop.

6) Vcc for the SC1186 should be supplied from the 5V supply through a 10Ω resistor, the Vcc pin should be decoupled directly to AGND by a 0.1μF ceramic capacitor, trace lengths should be as short as possible.

7) The Current Sense resistor and the divider across it should form as small a loop as possible, the traces running back to CS+ and CS- on the SC1186 should run parallel and close to each other. The 0.1μF capacitor should be mounted as close to the CS+ and CS- pins as possible.

8) Ideally, the grounds for the two LDO sections should be returned to the ground side of (one of) the output capacitor(s).



**POWER MANAGEMENT**
**Component Selection**
**SWITCHING SECTION**

**OUTPUT CAPACITORS** - Selection begins with the most critical component. Because of fast transient load current requirements in modern microprocessor core supplies, the output capacitors must supply all transient load current requirements until the current in the output inductor ramps up to the new level. Output capacitor ESR is therefore one of the most important criteria. The maximum ESR can be simply calculated from:

$$R_{ESR} \leq \frac{V_t}{I_t}$$

Where

$V_t$  = Maximum transient voltage excursion

$I_t$  = Transient current step

For example, to meet a 100mV transient limit with a 10A load step, the output capacitor ESR must be less than 10mΩ. To meet this kind of ESR level, there are three available capacitor technologies.

Technology	Each Cap.		Qty. Rqd.	Total	
	C (μF)	ESR (mΩ)		C (μF)	ESR (mΩ)
Low ESR Tantalum	330	60	6	2000	10
OS-CON	330	25	3	990	8.3
Low ESR Aluminum	1500	44	5	7500	8.3

The choice of which to use is simply a cost/performance issue, with Low ESR Aluminum being the cheapest, but taking up the most space.

**INDUCTOR** - Having decided on a suitable type and value of output capacitor, the maximum allowable value of inductor can be calculated. Too large an inductor will produce a slow current ramp rate and will cause the output capacitor to supply more of the transient load current for longer - leading to an output voltage sag below the ESR excursion calculated above.

The maximum inductor value may be calculated from:

$$L \leq \frac{R_{ESR} \cdot C}{I_t} \cdot V_A$$

where  $V_A$  is the lesser of  $V_O$  or  $(V_{IN} - V_O)$

The calculated maximum inductor value assumes 100% and 0% duty cycle capability, so some allowance must be made. Choosing an inductor value of 50 to 75% of the calculated maximum will guarantee that the inductor current will ramp fast enough to reduce the voltage dropped across the ESR at a faster rate than the capacitor sags, hence ensuring a good recovery from transient with no additional excursions.

We must also be concerned with ripple current in the output inductor and a general rule of thumb has been to allow 10% of maximum output current as ripple current. Note that most of the output voltage ripple is produced by the inductor ripple current flowing in the output capacitor ESR. Ripple current can be calculated from:

$$I_{L,RIPPLE} = \frac{V_{IN}}{4 \cdot L \cdot f_{OSC}}$$

Ripple current allowance will define the minimum permitted inductor value.

**POWER FETS** - The FETs are chosen based on several criteria, with probably the most important being power dissipation and power handling capability.

**TOP FET** - The power dissipation in the top FET is a combination of conduction losses, switching losses and bottom FET body diode recovery losses.

a) Conduction losses are simply calculated as:

$$P_{COND} = I_O^2 \cdot R_{DS(on)} \cdot \delta$$

where

$$\delta = \text{duty cycle} \approx \frac{V_O}{V_{IN}}$$

b) Switching losses can be estimated by assuming a switching time, if we assume 100ns then:

$$P_{SW} = I_O \cdot V_{IN} \cdot 10^{-2}$$

or more generally,

$$P_{SW} = \frac{I_O \cdot V_{IN} \cdot (t_r + t_f) \cdot f_{OSC}}{4}$$

c) Body diode recovery losses are more difficult to estimate, but to a first approximation, it is reasonable to assume that the stored charge on the bottom FET body diode will be moved through the top FET as it starts to turn on. The resulting power dissipation in the top FET will be:

$$P_{RR} = Q_{RR} \cdot V_{IN} \cdot f_{OSC}$$

**POWER MANAGEMENT**
**Component Selection (Cont.)**

To a first order approximation, it is convenient to only consider conduction losses to determine FET suitability. For a 5V in; 2.8V out at 14.2A requirement, typical FET losses would be:

Using 1.5X Room temp  $R_{DS(on)}$  to allow for temperature rise.

FET type	$R_{DS(on)}$ (m $\Omega$ )	$P_D$ (W)	Package
IRL34025	15	1.69	D <sup>2</sup> Pak
IRL2203	10.5	1.19	D <sup>2</sup> Pak
Si4410	20	2.26	S0-8

**BOTTOM FET** - Bottom FET losses are almost entirely due to conduction. The body diode is forced into conduction at the beginning and end of the bottom switch conduction period, so when the FET turns on and off, there is very little voltage across it, resulting in low switching losses. Conduction losses for the FET can be determined by:

$$P_{COND} = I_O^2 \cdot R_{DS(on)} \cdot (1 - \delta)$$

For the example above:

FET type	$R_{DS(on)}$ (m $\Omega$ )	$P_D$ (W)	Package
IRL34025	15	1.33	D <sup>2</sup> Pak
IRL2203	10.5	0.93	D <sup>2</sup> Pak
Si4410	20	1.77	S0-8

Each of the package types has a characteristic thermal impedance. For the surface mount packages on double sided FR4, 2 oz printed circuit board material, thermal impedances of 40°C/W for the D<sup>2</sup>PAK and 80°C/W for the S0-8 are readily achievable. The corresponding temperature rise is detailed below:

FET type	Temperature Rise (°C)	
	Top FET	Bottom FET
IRL34025	67.6	53.2
IRL2203	47.6	37.2
Si4410	180.8	141.6

It is apparent that single S0-8 Si4410 are not adequate for this application, but by using parallel pairs in each position, power dissipation will be approximately halved and temperature rise reduced by a factor of 4.

**INPUT CAPACITORS** - since the RMS ripple current in the input capacitors may be as high as 50% of the output current, suitable capacitors must be chosen accordingly. Also, during fast load transients, there may be restrictions on input di/dt. These restrictions require useable energy storage within the converter circuitry, either as extra output capacitance or, more usually, additional input capacitors. Choosing low ESR input capacitors will help maximize ripple rating for a given size.

**GATE RESISTOR SELECTION** - The gate resistors for the top and bottom switching FETs limit the peak gate current and hence control the transition time. It is important to control the off time transition of the top FET, it should be fast to limit switching losses, but not so fast as to cause excessive phase node oscillation below ground as this can lead to current injection in the IC substrate and erratic behaviour or latchup. The actual value should be determined in the application, with the final layout and FETs.

**SHORT CIRCUIT PROTECTION - LINEARS**

The Short circuit feature on the linear controllers is implemented by using the  $R_{ds(on)}$  of the FETs. As output current increases, the regulation loop maintains the output voltage by turning the FET on more and more. Eventually, as the  $R_{ds(on)}$  limit is reached, the FET will be unable to turn on more fully, and output voltage will start to fall. When the output voltage falls to approximately 40% of nominal, the LDO controller is latched off, setting output voltage to 0. Power must be cycled to reset the latch.

To prevent false latching due to capacitor inrush currents or low supply rails, the current limit latch is initially disabled. It is enabled at a preset time (nominally 2ms) after both the LDOV and LDOEN pins rise above their lockout points.

To be most effective, the linear FET  $R_{ds(on)}$  should not be selected artificially low, the FET should be chosen so that, at maximum required current, it is almost fully turned on. If, for example, a linear supply of 1.5V at 4A is required from a 3.3V  $\pm$  5% rail, max allowable  $R_{ds(on)}$  would be.

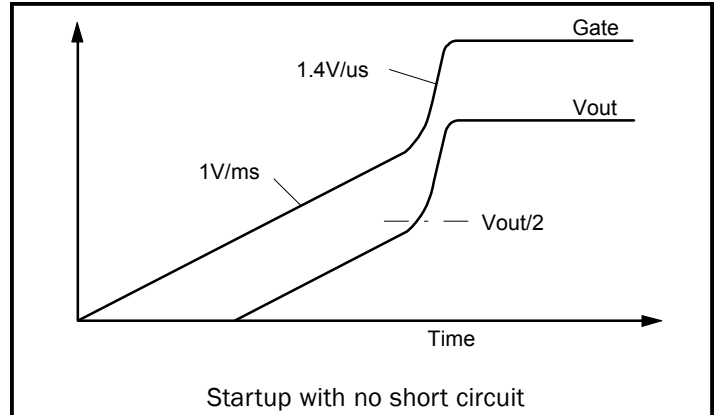
$$R_{ds(on)max} = (0.95 * 3.3 - 1.5) / 4 \gg 400m\Omega$$

To allow for temperature effects 200m $\Omega$  would be a suitable room temperature maximum, allowing a peak short circuit current of approximately 15A for a short time before shutdown.

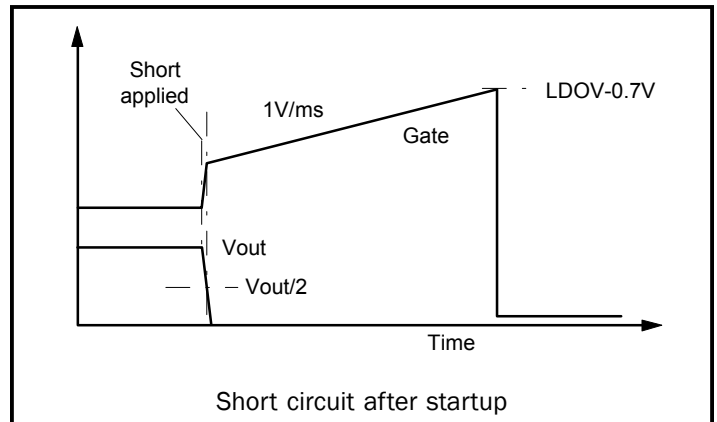
**POWER MANAGEMENT**

**Theory of Operation (Linear OCP)**

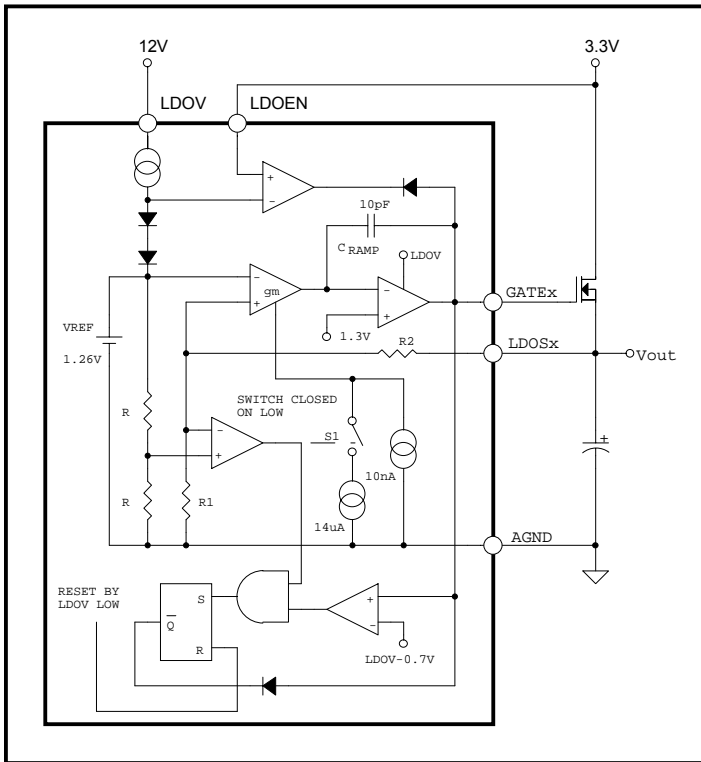
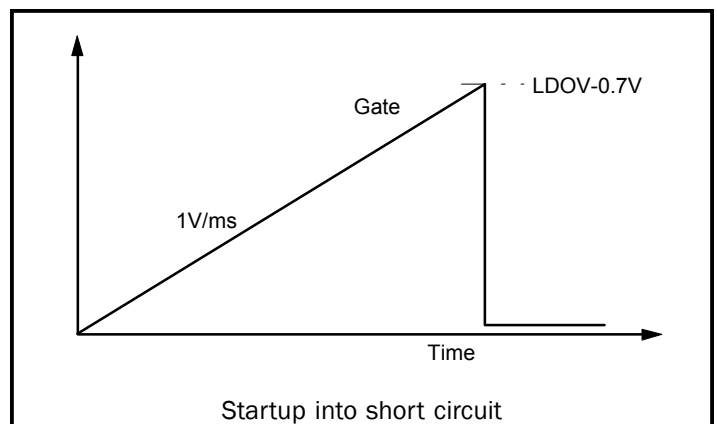
The Linear controllers in the SC1186 have built in Overcurrent Protection (OCP). An overcurrent is assumed to have occurred when the external FET is turned fully on and the output current is  $R_{DS(ON)}$  limited, this is detected by the gate voltage going very high while the output voltage is below approximately 40% of it's setpoint. To allow for capacitor charging and very short overcurrent durations, the gate voltage is ramped very slowly upwards whenever the output voltage is below the OCP threshold. To guarantee that the LDO output voltage is capable of reaching it's setpoint, the gate drive is disabled until both LDOV Undervoltage Lockout (UVLO) and LDOEN Threshold values are exceeded, ensuring that there is sufficient gate drive capability and sufficient LDO input voltage capability. A block diagram of one LDO controller is shown below.



If at some later time, a short circuit is applied to the output, the GATEx voltage will ramp up quickly as Vout falls to try and maintain regulation. Once Vout has fallen to the OCP threshold, switch S1 will open and the gate will continue ramping at the 1V/ms rate. If the short is not removed before the GATEx output reaches approximately LDOV - 0.7V, the GATEx pin will be latched low, disabling the LDO



If the LDO tries to start into a short, the gate ramps at the 1V/ms rate to LDOV - 0.7V, where the GATEx pin will be latched low.

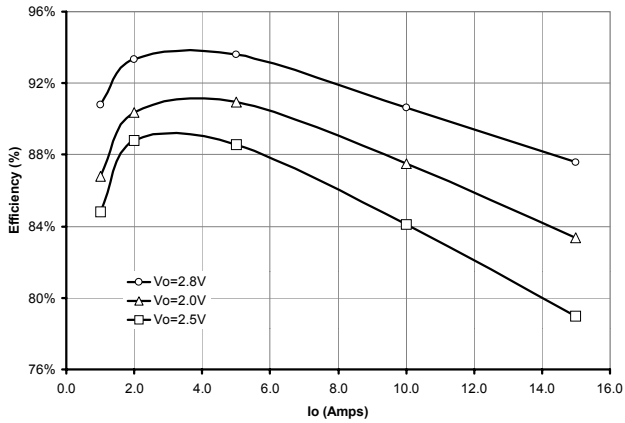


During a normal start-up, once LDOV and LDOEN have reached their thresholds, the GATEx pin is released and  $C_{RAMP}$  is charged by 10nA causing the GATEx voltage to ramp at  $10nA/10pF = 1V/ms$ . Once the GATEx output has ramped to the external FET threshold, Vout starts to ramp up, following GATEx. When Vout reaches the OCP threshold, approximately 40% of setpoint, switch S1 is closed and GATEx ramps up at a much faster rate, followed by Vout, until Vout reaches setpoint and the loop settles into steady state regulation.

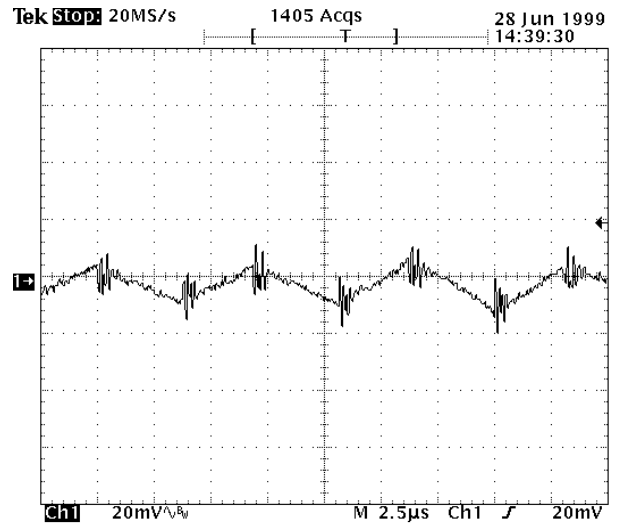
**POWER MANAGEMENT**

Typical Characteristics

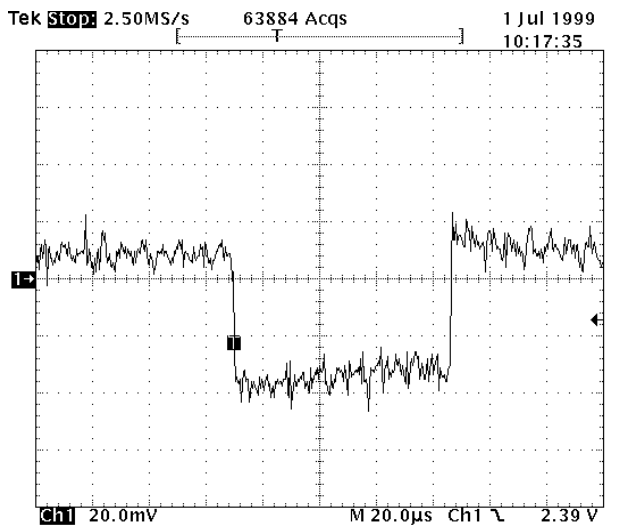
Typical Efficiency (Switching section)



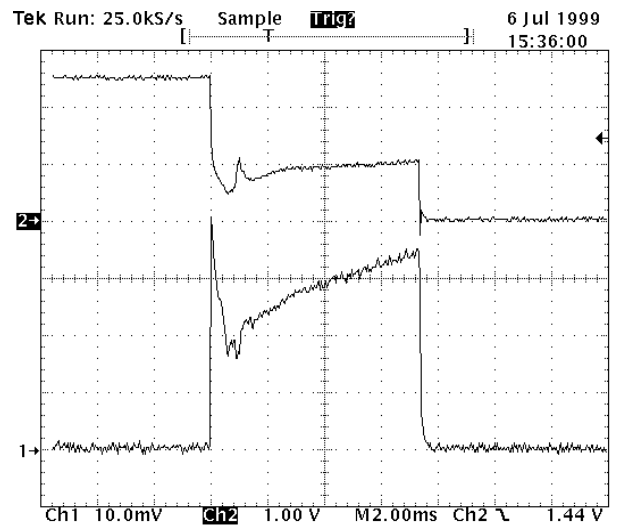
Typical Ripple, Vo=2.0V, Io=10A



Transient Response Vo=2.4V, Io=300mA to 15A



2.5V Linear Short circuit output response



**POWER MANAGEMENT**

**Evaluation Board Schematic**

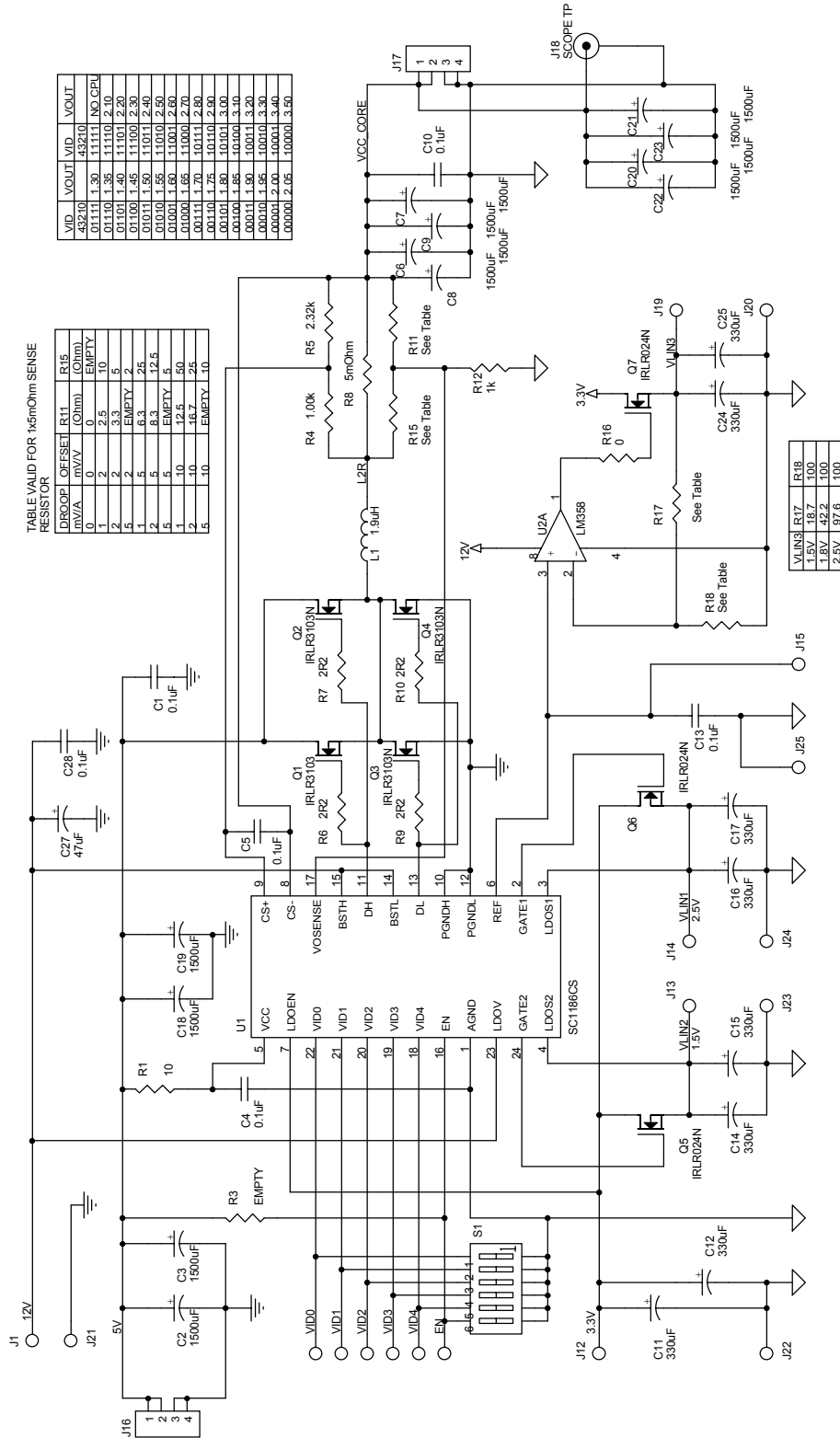


TABLE VALID FOR 1/6mOhm SENSE RESISTOR

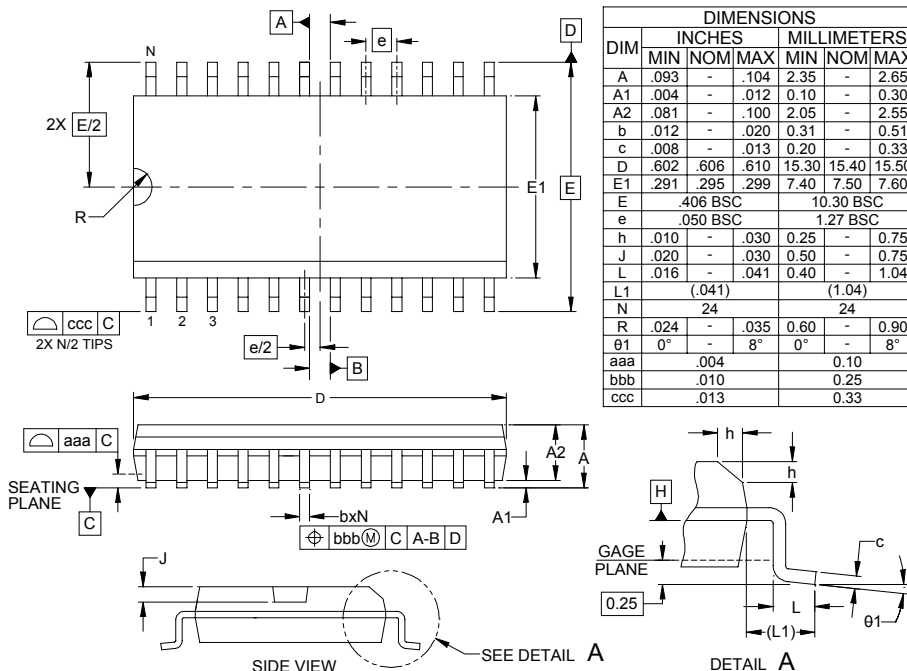
DROOP	OFFSET	R11	R18
mV/A	mV/V	(Ohm)	(Ohm)
0	0	EMPTY	10
1	2	2.5	5
2	5	EMPTY	5
3	10	EMPTY	5
4	15	EMPTY	5
5	20	EMPTY	5
6	25	EMPTY	5
7	30	EMPTY	5
8	35	EMPTY	5
9	40	EMPTY	5
10	45	EMPTY	5
11	50	EMPTY	5
12	55	EMPTY	5
13	60	EMPTY	5
14	65	EMPTY	5
15	70	EMPTY	5
16	75	EMPTY	5
17	80	EMPTY	5
18	85	EMPTY	5
19	90	EMPTY	5
20	95	EMPTY	5
21	100	EMPTY	5
22	105	EMPTY	5
23	110	EMPTY	5
24	115	EMPTY	5
25	120	EMPTY	5
26	125	EMPTY	5
27	130	EMPTY	5
28	135	EMPTY	5
29	140	EMPTY	5
30	145	EMPTY	5
31	150	EMPTY	5
32	155	EMPTY	5
33	160	EMPTY	5
34	165	EMPTY	5
35	170	EMPTY	5
36	175	EMPTY	5
37	180	EMPTY	5
38	185	EMPTY	5
39	190	EMPTY	5
40	195	EMPTY	5
41	200	EMPTY	5
42	205	EMPTY	5
43	210	EMPTY	5
44	215	EMPTY	5
45	220	EMPTY	5
46	225	EMPTY	5
47	230	EMPTY	5
48	235	EMPTY	5
49	240	EMPTY	5
50	245	EMPTY	5
51	250	EMPTY	5
52	255	EMPTY	5
53	260	EMPTY	5
54	265	EMPTY	5
55	270	EMPTY	5
56	275	EMPTY	5
57	280	EMPTY	5
58	285	EMPTY	5
59	290	EMPTY	5
60	295	EMPTY	5
61	300	EMPTY	5
62	305	EMPTY	5
63	310	EMPTY	5
64	315	EMPTY	5
65	320	EMPTY	5
66	325	EMPTY	5
67	330	EMPTY	5
68	335	EMPTY	5
69	340	EMPTY	5
70	345	EMPTY	5
71	350	EMPTY	5
72	355	EMPTY	5
73	360	EMPTY	5
74	365	EMPTY	5
75	370	EMPTY	5
76	375	EMPTY	5
77	380	EMPTY	5
78	385	EMPTY	5
79	390	EMPTY	5
80	395	EMPTY	5
81	400	EMPTY	5
82	405	EMPTY	5
83	410	EMPTY	5
84	415	EMPTY	5
85	420	EMPTY	5
86	425	EMPTY	5
87	430	EMPTY	5
88	435	EMPTY	5
89	440	EMPTY	5
90	445	EMPTY	5
91	450	EMPTY	5
92	455	EMPTY	5
93	460	EMPTY	5
94	465	EMPTY	5
95	470	EMPTY	5
96	475	EMPTY	5
97	480	EMPTY	5
98	485	EMPTY	5
99	490	EMPTY	5
100	495	EMPTY	5
101	500	EMPTY	5
102	505	EMPTY	5
103	510	EMPTY	5
104	515	EMPTY	5
105	520	EMPTY	5
106	525	EMPTY	5
107	530	EMPTY	5
108	535	EMPTY	5
109	540	EMPTY	5
110	545	EMPTY	5
111	550	EMPTY	5
112	555	EMPTY	5
113	560	EMPTY	5
114	565	EMPTY	5
115	570	EMPTY	5
116	575	EMPTY	5
117	580	EMPTY	5
118	585	EMPTY	5
119	590	EMPTY	5
120	595	EMPTY	5
121	600	EMPTY	5
122	605	EMPTY	5
123	610	EMPTY	5
124	615	EMPTY	5
125	620	EMPTY	5
126	625	EMPTY	5
127	630	EMPTY	5
128	635	EMPTY	5
129	640	EMPTY	5
130	645	EMPTY	5
131	650	EMPTY	5
132	655	EMPTY	5
133	660	EMPTY	5
134	665	EMPTY	5
135	670	EMPTY	5
136	675	EMPTY	5
137	680	EMPTY	5
138	685	EMPTY	5
139	690	EMPTY	5
140	695	EMPTY	5
141	700	EMPTY	5
142	705	EMPTY	5
143	710	EMPTY	5
144	715	EMPTY	5
145	720	EMPTY	5
146	725	EMPTY	5
147	730	EMPTY	5
148	735	EMPTY	5
149	740	EMPTY	5
150	745	EMPTY	5
151	750	EMPTY	5
152	755	EMPTY	5
153	760	EMPTY	5
154	765	EMPTY	5
155	770	EMPTY	5
156	775	EMPTY	5
157	780	EMPTY	5
158	785	EMPTY	5
159	790	EMPTY	5
160	795	EMPTY	5
161	800	EMPTY	5
162	805	EMPTY	5
163	810	EMPTY	5
164	815	EMPTY	5
165	820	EMPTY	5
166	825	EMPTY	5
167	830	EMPTY	5
168	835	EMPTY	5
169	840	EMPTY	5
170	845	EMPTY	5
171	850	EMPTY	5
172	855	EMPTY	5
173	860	EMPTY	5
174	865	EMPTY	5
175	870	EMPTY	5
176	875	EMPTY	5
177	880	EMPTY	5
178	885	EMPTY	5
179	890	EMPTY	5
180	895	EMPTY	5
181	900	EMPTY	5
182	905	EMPTY	5
183	910	EMPTY	5
184	915	EMPTY	5
185	920	EMPTY	5
186	925	EMPTY	5
187	930	EMPTY	5
188	935	EMPTY	5
189	940	EMPTY	5
190	945	EMPTY	5
191	950	EMPTY	5
192	955	EMPTY	5
193	960	EMPTY	5
194	965	EMPTY	5
195	970	EMPTY	5
196	975	EMPTY	5
197	980	EMPTY	5
198	985	EMPTY	5
199	990	EMPTY	5
200	995	EMPTY	5
201	1000	EMPTY	5
202	1005	EMPTY	5
203	1010	EMPTY	5
204	1015	EMPTY	5
205	1020	EMPTY	5
206	1025	EMPTY	5
207	1030	EMPTY	5
208	1035	EMPTY	5
209	1040	EMPTY	5
210	1045	EMPTY	5
211	1050	EMPTY	5
212	1055	EMPTY	5
213	1060	EMPTY	5
214	1065	EMPTY	5
215	1070	EMPTY	5
216	1075	EMPTY	5
217	1080	EMPTY	5
218	1085	EMPTY	5
219	1090	EMPTY	5
220	1095	EMPTY	5
221	1100	EMPTY	5
222	1105	EMPTY	5
223	1110	EMPTY	5
224	1115	EMPTY	5
225	1120	EMPTY	5
226	1125	EMPTY	5
227	1130	EMPTY	5
228	1135	EMPTY	5
229	1140	EMPTY	5
230	1145	EMPTY	5
231	1150	EMPTY	5
232	1155	EMPTY	5
233	1160	EMPTY	5
234	1165	EMPTY	5
235	1170	EMPTY	5
236	1175	EMPTY	5
237	1180	EMPTY	5
238	1185	EMPTY	5
239	1190	EMPTY	5
240	1195	EMPTY	5
241	1200	EMPTY	5
242	1205	EMPTY	5
243	1210	EMPTY	5
244	1215	EMPTY	5
245	1220	EMPTY	5
246	1225	EMPTY	5
247	1230	EMPTY	5
248	1235	EMPTY	5
249	1240	EMPTY	5
250	1245	EMPTY	5
251	1250	EMPTY	5
252	1255	EMPTY	5
253	1260	EMPTY	5
254	1265	EMPTY	5
255	1270	EMPTY	5
256	1275	EMPTY	5
257	1280	EMPTY	5
258	1285	EMPTY	5
259	1290	EMPTY	5
260	1295	EMPTY	5
261	1300	EMPTY	5
262	1305	EMPTY	5
263	1310	EMPTY	5
264	1315	EMPTY	5
265	1320	EMPTY	5
266	1325	EMPTY	5
267	1330	EMPTY	5
268	1335	EMPTY	5
269	1340	EMPTY	5
270	1345	EMPTY	5
271	1350	EMPTY	5
272	1355	EMPTY	5
273	1360	EMPTY	5
274	1365	EMPTY	5
275	1370	EMPTY	5
276	1375	EMPTY	5
277	1380	EMPTY	5
278	1385	EMPTY	5
279	1390	EMPTY	5
280	1395	EMPTY	5
281	1400	EMPTY	5
282	1405	EMPTY	5
283	1410	EMPTY	5
284	1415	EMPTY	5
285	1420	EMPTY	5
286	1425	EMPTY	5
287	1430	EMPTY	5
288	1435	EMPTY	5
289	1440	EMPTY	5
290	1445	EMPTY	5
291	1450	EMPTY	5
292	1455	EMPTY	5
293	1460	EMPTY	5
294	1465	EMPTY	5
295	1470	EMPTY	5
296	1475	EMPTY	5
297	1480	EMPTY	5
298	1485	EMPTY	5
299	1490	EMPTY	5
300	1495	EMPTY	5
301	1500	EMPTY	5
302	1505	EMPTY	5
303	1510	EMPTY	5
304	1515	EMPTY	5
305	1520	EMPTY	5
306	1525	EMPTY	5
307	1530	EMPTY	5
308	1535	EMPTY	5
309	1540	EMPTY	5
310	1545	EMPTY	5
311	1550	EMPTY	5
312	1555	EMPTY	5
313	1560	EMPTY	5
314	1565	EMPTY	5
315	1570	EMPTY	5
316	1575	EMPTY	5
317	1580	EMPTY	5
318	1585	EMPTY	5
319	1590	EMPTY	5
320	1595	EMPTY	5
321	1600	EMPTY	5
322	1605	EMPTY	5
323	1610	EMPTY	5
324	1615	EMPTY	5
325	1620	EMPTY	5
326	1625	EMPTY	5
327	1630	EMPTY	5
328	1635	EMPTY	5
329	1640	EMPTY	5
330	1645	EMPTY	5
331	1650	EMPTY	5
332	1655	EMPTY	5
333	1660	EMPTY	5
334	1665	EMPTY	5
335	1670	EMPTY	5
336	1675	EMPTY	5
337	1680	EMPTY	5
338	1685	EMPTY	5
339	1690	EMPTY	5
340	1695	EMPTY	5
341	1700	EMPTY	5
342	1705	EMPTY	5
343	1710	EMPTY	5
344	1715	EMPTY	5
345	1720	EMPTY	5
346	1725	EMPTY	5
347	1730	EMPTY	5
348	1735	EMPTY	5
349	1740	EMPTY	5</

**POWER MANAGEMENT**
**Evaluation Board Bill of Materials**

Item	Qty.	Reference	Value	Notes
1	6	C1, C4, C5, C10, C13, C28	0.1uF	
2	12	C2, C3, C6, C7, C8, C9, C18, C19, C20, C21, C22, C23	1500uF	Low ESR Sanyo MV-GX or equivalent
3	8	C11, C12, C14, C15, C16, C17, C24, C25	330uF	
4	1	C27	47uF	
5	1	L1	1.9uH	
6	3	Q1, Q2, Q3, Q4	IRLR3103N	
7	3	Q5, Q6, Q7	IRLR024N	
8	1	R1	10	
9	1	R3	EMPTY	
10	1	R4	1.00k	1%
11	1	R5	2.32k	1%
12	4	R6, R7, R9, R10	2R2	
13	1	R8	5mOhm	IRC OAR1
14	2	R15, R11	See Table 2	
15	1	R12	1k	
16	1	R16	0	
17	2	R17, R18	See Table	
18	1	U1	SC1186CS	SEMTECH
19	1	U2	LM358	

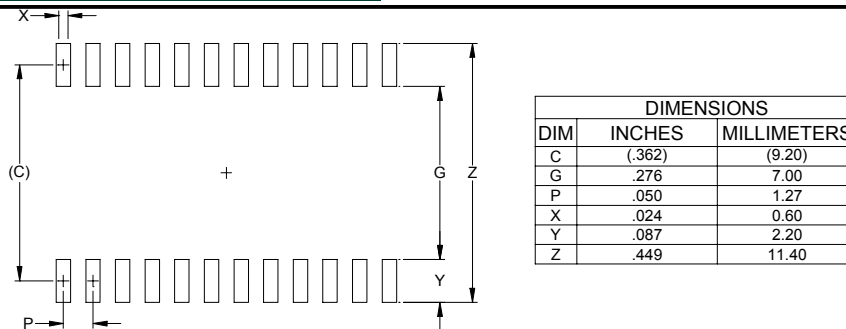
**POWER MANAGEMENT**

**Outline Drawing - SO-24**



- NOTES:
1. CONTROLLING DIMENSIONS ARE IN MILLIMETERS (ANGLES IN DEGREES).
  2. DATUMS **-A-** AND **-B-** TO BE DETERMINED AT DATUM PLANE **-H-**
  3. DIMENSIONS "E1" AND "D" DO NOT INCLUDE MOLD FLASH, PROTRUSIONS OR GATE BURRS.
  4. REFERENCE JEDEC STD MS-013, VARIATION AD.

**Outline Drawing - SO-24**



- NOTES:
1. THIS LAND PATTERN IS FOR REFERENCE PURPOSES ONLY. CONSULT YOUR MANUFACTURING GROUP TO ENSURE YOUR COMPANY'S MANUFACTURING GUIDELINES ARE MET.
  2. REFERENCE IPC-SM-782A, RLP NO. 307A.

**Contact Information for Semtech International AG**

**Taiwan Branch**

Tel: 886-2-2748-3380  
Fax: 886-2-2748-3390

**Korea Branch**

Tel: 82-2-527-4377  
Fax: 82-2-527-4376

**Shanghai Office**

Tel: 86-21-6391-0830  
Fax: 86-21-6391-0831

**Semtech Switzerland GmbH  
Japan Branch**

Tel: 81-3-6408-0950  
Fax: 81-3-6408-0951

**Semtech Limited (U.K.)**

Tel: 44-1794-527-600  
Fax: 44-1794-527-601

**Semtech France SARL**

Tel: 33-(0)169-28-22-00  
Fax: 33-(0)169-28-12-98

**Semtech Germany GmbH**

Tel: 49-(0)8161-140-123  
Fax: 49-(0)8161-140-124

Semtech International AG is a wholly-owned subsidiary of Semtech Corporation, which has its headquarters in the U.S.A.