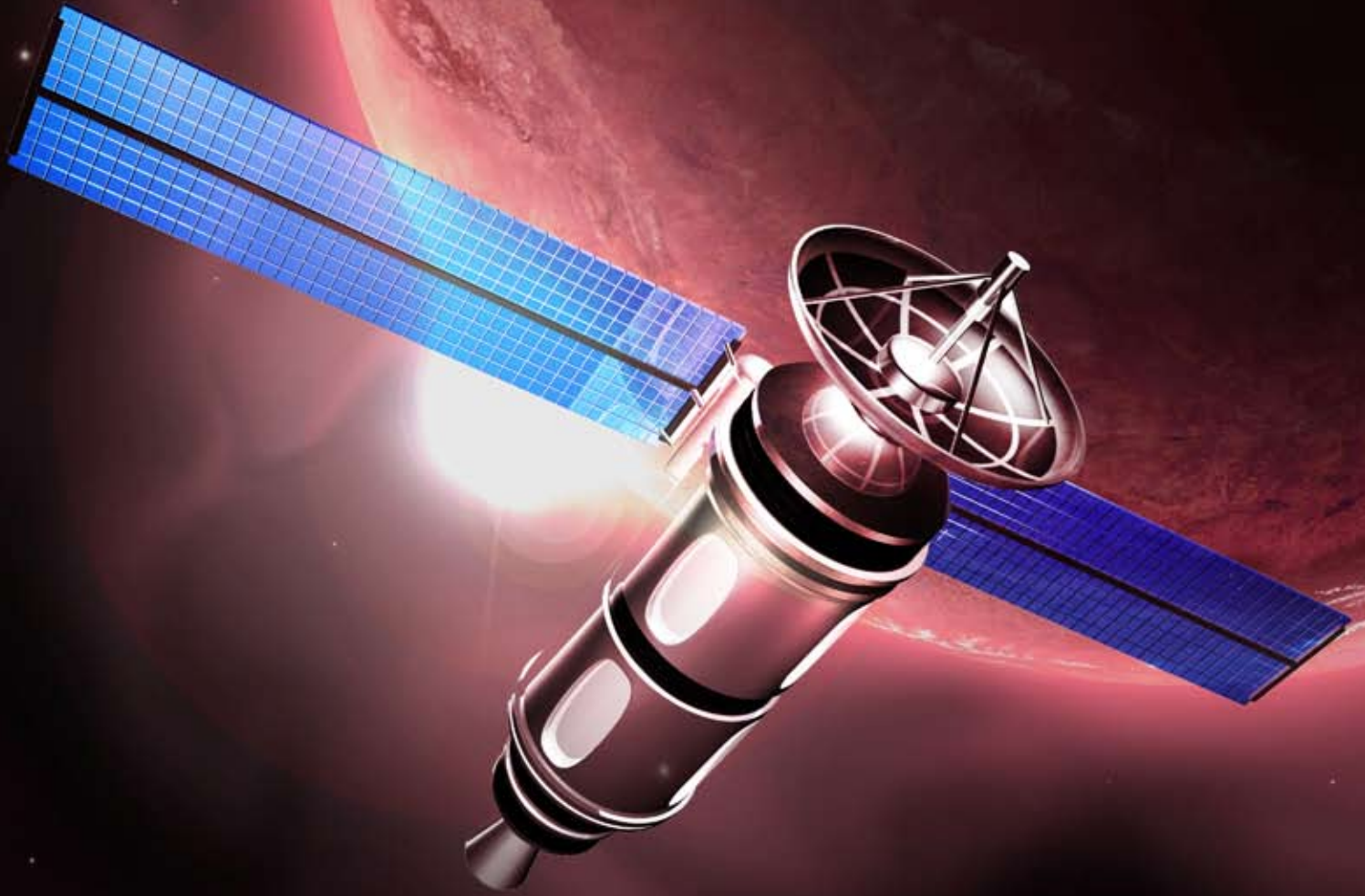




**SEMTECH**



**2010  
SPACE PRODUCTS  
(JANS)**

[WWW.SEMTECH.COM](http://WWW.SEMTECH.COM)



## Hi-Reliability Devices

Semtech Corporation offers a complete line of Hi-Reliability devices in modern production facilities in Reynosa, Mexico with Corporate Headquarters in Camarillo, California. Semtech products are, by design, capable of meeting the most severe environmental requirements specified for military and space applications. Although emphasis is placed on designed and built-in quality and reliability, a complete reliability screening program has been established. Most products offered are available in all of the following Hi-Rel configurations:

- Military Qualified Diodes (JAN, JANTX, JANTXV, JANS)
- Source Controlled Devices (SCD)
- Custom S-Level Processing
- Semtech HR500S Space Level Flow (JANS equivalent)

## JANS - Qualified Diodes Available Now!

These products are DSCC qualified JANS product for Space/Critical programs.

MIL-PRF-19500 / 411 Rectifiers (Available in axial lead packages)	
Part Numbers	Description
JANS1N5415 through JANS1N5420	Fast recovery axial rectifier, 50V - 600V, I <sub>o</sub> =4.5A

MIL-PRF-19500 / 420 Rectifiers (Available in axial lead packages)	
Part Numbers	Description
JANS1N5550 through JANS1N5554	Standard recovery axial rectifier, 200V - 1000V, I <sub>o</sub> =5.0A

MIL-PRF-19500 / 427 Rectifiers (Available in axial lead packages)	
Part Numbers	Description
JANS1N5614, JANS1N5616, JANS1N5618, JANS1N5620, JANS1N5622	Standard recovery axial rectifier, 200V - 1000V, I <sub>o</sub> =2.0A

MIL-PRF-19500 / 429 Rectifiers (Available in axial lead packages)	
Part Numbers	Description
JANS1N5615, JANS1N5617, JANS1N5619, JANS1N5621, JANS1N5623	Fast recovery axial rectifier, 200V - 1000V, I <sub>o</sub> =2A

MIL-PRF-19500 / 477 Rectifiers (Available in both axial lead and surface mount packages)	
Part Numbers	Description
JANS1N5802, JANS1N5804, JANS1N5806	Superfast rectifier, 50V - 150V, I <sub>o</sub> =2.5A
JANS1N5807, JANS1N5809, JANS1N5811	Superfast rectifier, 50V - 150V, I <sub>o</sub> =6.0A

MIL-PRF-19500 / 516 TVS Devices (Available in both axial lead and surface mount packages)	
Part Numbers	Description
JANS1N6102 through JANS1N6137	500W axial bi-polarity transient voltage suppressors
JANS1N6102A through JANS1N6137A	500W axial bi-polarity transient voltage suppressors
JANS1N6138 through JANS1N6173	1500W axial bi-polarity transient voltage suppressors
JANS1N6138A through JANS1N6173A	1500W axial bi-polarity transient voltage suppressors

## JANS - Soon To Be Released Products

Rectifiers			
Rectifiers	Slash Sheet	Description	Anticipated Release
1N6620-1N6625	MIL-PRF-19500/585	Ultra-fast Recovery axial leaded and surface mount rectifiers	Q3 2010

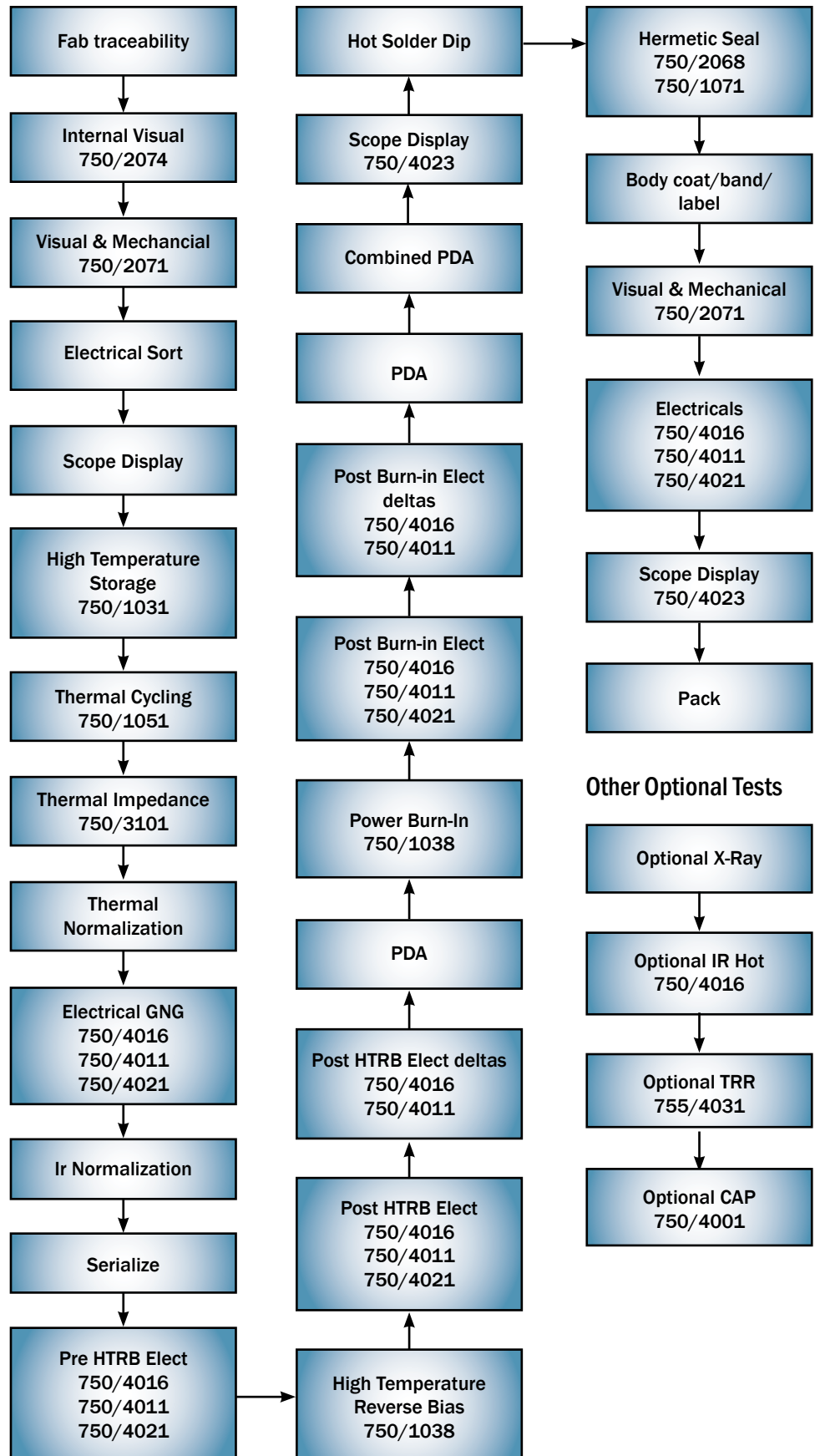
Zener Voltage Regulators			
Rectifiers	Slash Sheet	Description	Anticipated Release
1N4954-1N4990	MIL-PRF-19500/356	5W axial leaded and surface mount Zener Voltage Regulators	Q3 2010
1N4460-1N4496	MIL-PRF-19500/406	1.5W axial leaded and surface mount Zener Voltage Regulators	Q3 2010

Sample HR500S space flow for an Axial Lead Rectifier  
100% Screening flow

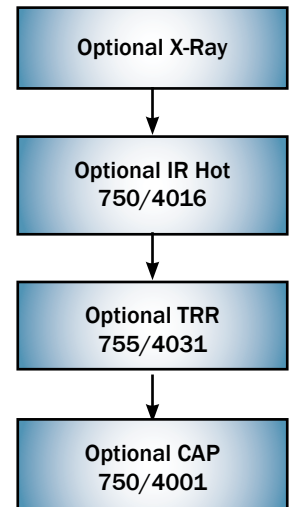
**Semtech  
Space-Level Screening  
(HR500S)**

Semtech Space Level test flow screening is now available for our Hi-Rel product line. This screening can be applied to both our standard QPL as well as QPL equivalent diodes that are manufactured in our DSCC certified production facility. The platform device for this flow would be of JANTXV and up-screened to JANS - quality level.

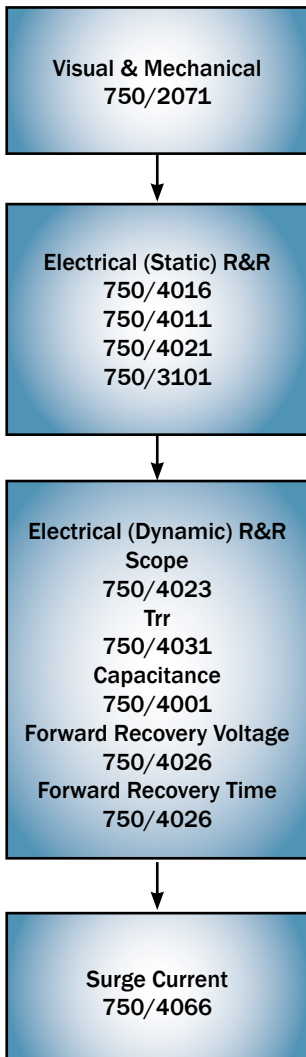
Please contact factory for naming convention of these standard catalog parts.



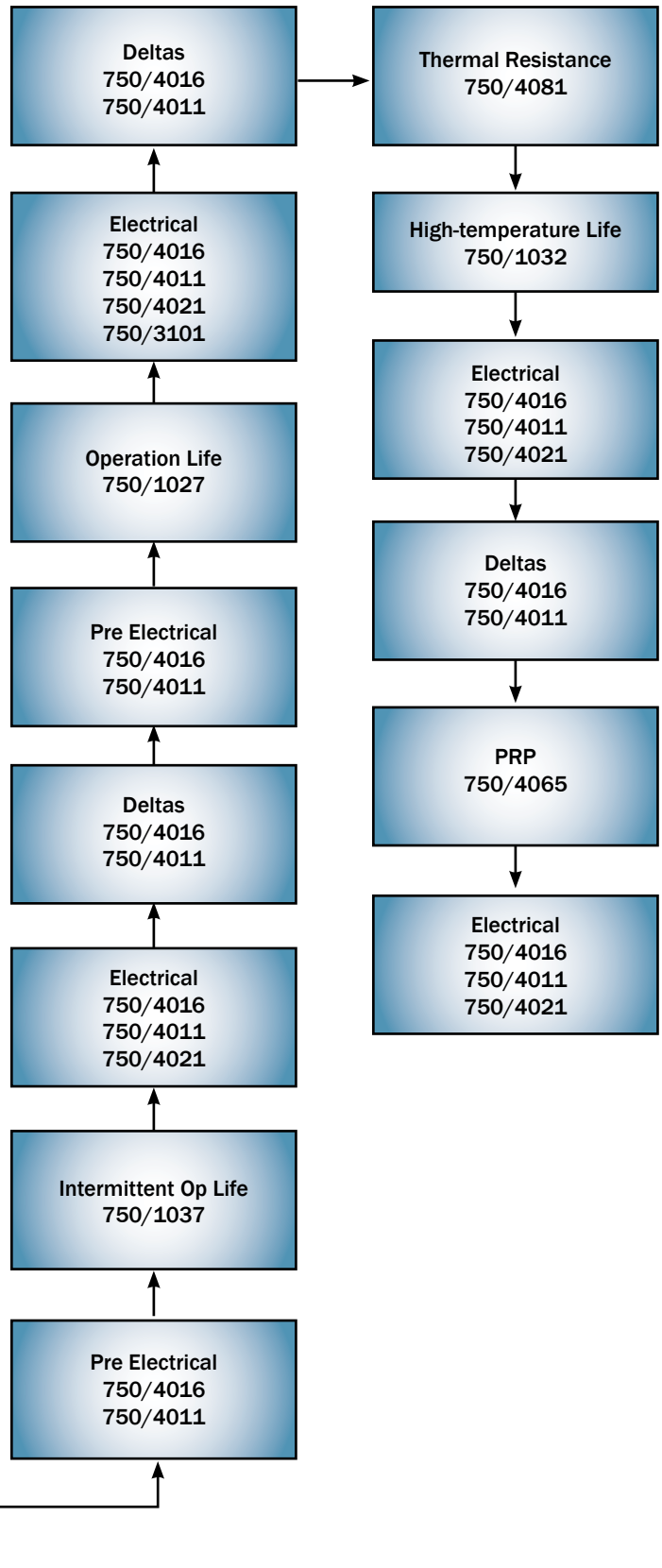
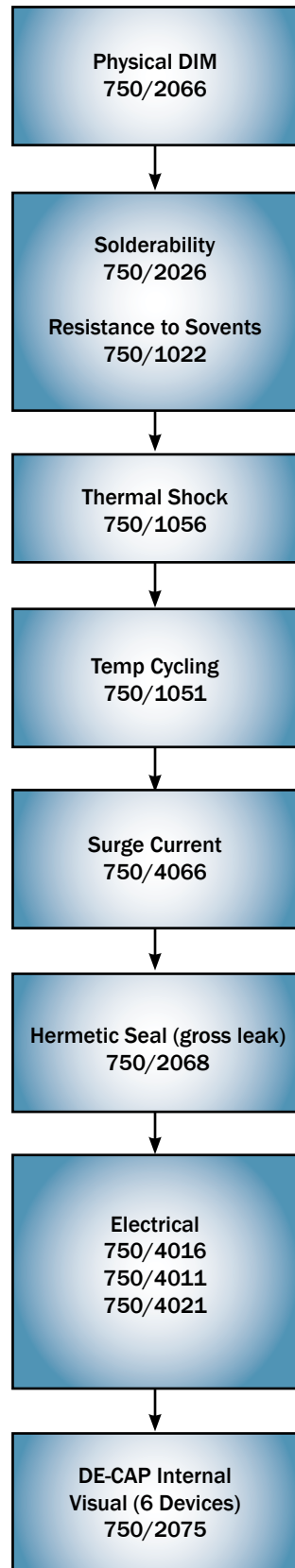
**Other Optional Tests**



**Group "A"**  
for HR500S flow



**Group "B"**  
for HR500S flow





## **JANS processed device to a Source Controlled Document (SCD)**

Semtech is also offering space level devices processed in our JANS DSCC certified facility starting from Wafer Fabrication through the JANS screening requirement in the form of a Source Controlled Document. Please contact factory for details.

Information furnished by Semtech Corporation about its products is believed to be accurate and reliable. However, Semtech assumes no responsibility for their use in any particular application. Any suggestions by Semtech concerning use of Semtech products in a particular application are opinion only and Semtech makes no warranty as to the results to be obtained. Semtech reserves the right to make product and specification changes without notice.

#### *Life Support Policy*

Semtech's products are not authorized for use as critical components in life support systems or devices without the express written approval of an officer of Semtech Corporation. Life support systems or devices are systems or devices which (1) are intended for surgical implant into the body, or (2) support or sustain life, and whose failure to perform, when properly used in accordance with instructions for use provided in the labeling, can be reasonably expected to result in significant injury to the user.

#### *Trademarks*

Semtech<sup>®</sup>, <sup>®</sup>, ISOCPAC<sup>®</sup>, ALPAC<sup>®</sup>, SLIMPAC<sup>®</sup>, CUPAC<sup>™</sup>, COMPAC<sup>™</sup>, FINPAC<sup>™</sup>, KV-STAC<sup>™</sup>, STACPAC<sup>™</sup>, KV-PAC<sup>™</sup> AND KW-PAC<sup>™</sup> are marks of Semtech Corporation.

All other marks utilized in this document are the sole property of their respective owners.

Corporate Headquarters:  
200 Flynn Road,  
Camarillo, CA 93012  
(805) 498-2111  
[www.semtech.com](http://www.semtech.com)

